



广州标控自动化设备有限公司

GUANGZHOU KINGREAL MACHINERY CO., LTD

TEL:020-22378256

Email:sales@kingreal.org

Phone/Whatsapp:+86 137 0285 5825

Add:2105A Lai Fung Tower,761 Dong Feng Road East, Guangzhou City,China

Web:www.roll-former.com www.kingreal.org

中国冷弯成型机专业制造商

ROLL FORMING MACHINE MANUFACTURER



PROFESSIONAL



PEOPLE



PRECISION

GUANGZHOU KINGREAL MACHINERY CO., LTD

广州标控自动化设备有限公司

ABOUT US

关于我们

GUANGZHOU KINGREAL MACHINERY CO., LTD is a manufacturer of cold roll forming machine in China, which integrates R&D, production, sales and after-sales service.

KINGREAL owns international advanced technology and equipment, and is committed to provide customers with high quality products and services, with **ISO9000 quality system** management capabilities, production equipment has passed ISO9000 certification. Meanwhile, we have a professional technical team with more than **25 years** of relevant experience from drawing design to machine manufacturing.

Featured products including **Light Steel Keel Roll Forming Machine, Warehouse Equipment, Roof Tile Forming Machine, Air Duct Machine, Customized Roll Forming Machine, and Metal Ceiling Forming Machine.** Currently, KINGREAL has successfully transported machines all over the world, including **Russia, United Arab Emirates, India, Saudi Arabia, Egypt, Holland, Greece and Chile, etc.** KINGREAL is looking forward to building long term and stable relationships with our customers all over the world with our professional competence and continuous service level.

Welcome to choose **KINGREAL!**

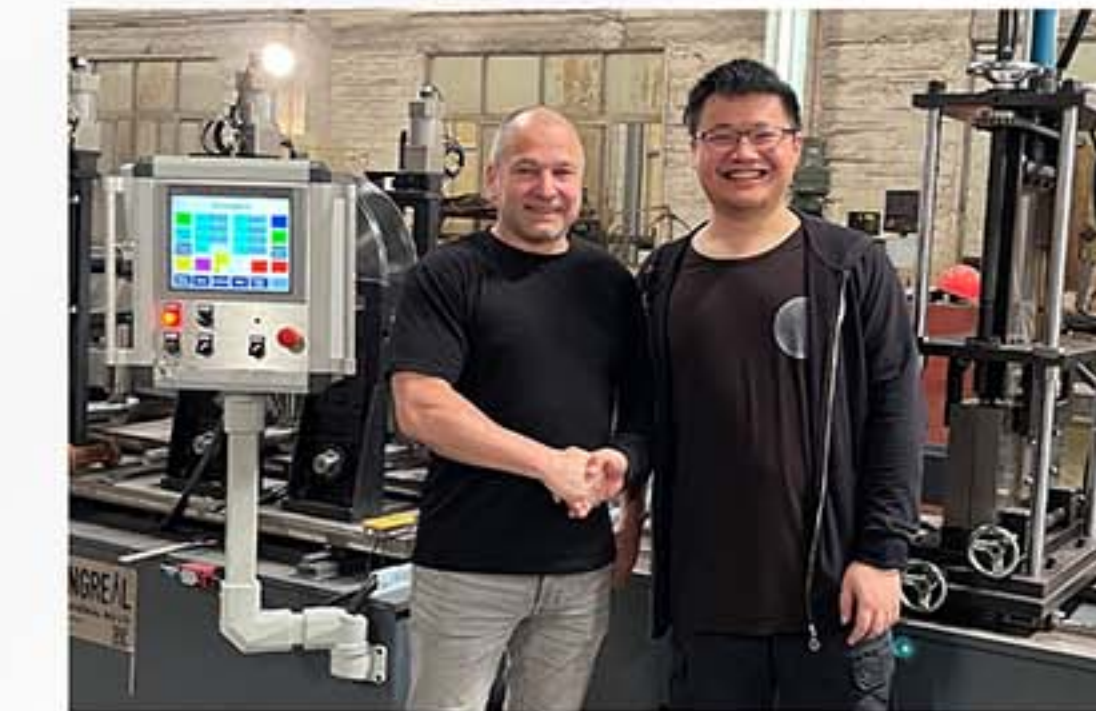
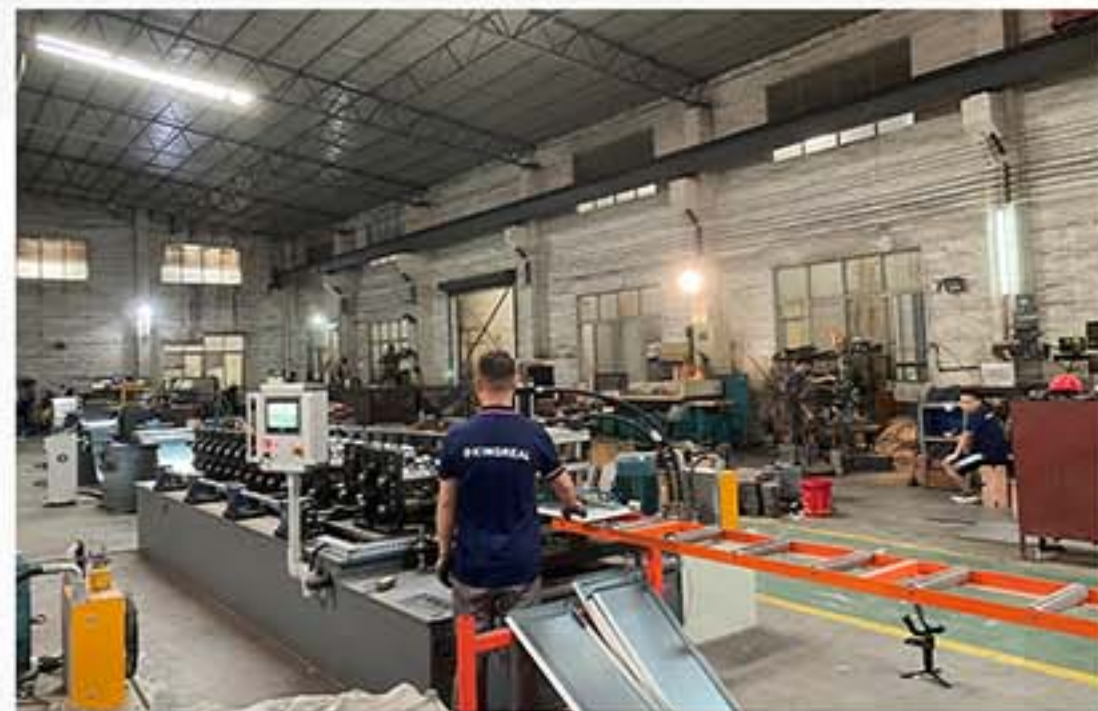
GUANGZHOU KINGREAL MACHINERY CO., LTD 是中国一家集研发、生产、销售和售后于一体的金属冷弯成型机设备制造商。

KINGREAL拥有国际先进的技术和设备，致力于为客户提供优质的产品和服务，生产设备已通过**ISO9000**认证，具备ISO9000质量体系管理能力。同时拥有一支专业的技术团队，从图纸设计到机器制造都有超过**25年**的相关经验。

特色产品包括**轻钢龙骨机、仓储设备、瓦机系列、风管系统、定制化成型机、金属吊顶成型机**等。

目前，KINGREAL已成功将机器运输到世界各地，包括**俄罗斯、阿拉伯联合酋长国、印度、沙特阿拉伯、埃及、荷兰、希腊和智利**等国家。KINGREAL期待以我们的专业能力和持续的服务水平与世界各地的客户建立长期稳定的关系。

欢迎选择**KINGREAL!**





100+

Technical talents
技术人才



25+

YEARS

Production experience
生产经验



30+

Invention & utility model patents
发明和实用新型专利









PRODUCT CATALOG

产品目录

▶ LIGHT STEEL KEEL MACHINE / 龙骨成型机

- DRYWALL STUD & TRACK MAKING MACHINE / 宽窄龙骨机
- T BAR CEILING ROLL FORMING MACHINE / T字龙骨机
- CEILING CHANNEL ROLL FORMING MACHINE / 轻钢龙骨机
- LGS FRAMING HOUSE FORMING MACHINE / 轻型钢框架房屋机
- CZ PURLIN MACHINE / CZ檩条机

▶ WAREHOUSING MACHINE / 仓储设备

- METAL SHELF ROLL FORMING MACHINE / 货架板成型机
- UPRIGHT POST ROLL FORMING MACHINE / 立柱成型机
- BOX BEAM ROLL FORMING MACHINE / 箱梁成型机
- STEP BEAM ROLL FORMING MACHINE / 阶梯梁成型机
- WALL ANGLEPROFILES ROLL FORMING MACHINE / 角钢成型机
- STEEL PATTET FORMING MACHINE / 钢托盘成型机

▶ ROOF TILE MACHINE / 瓦机系列

- GLAZED ROOL TILE ROLL FORMING MACHINE / 琉璃瓦成型机
- DOUBLE LAYER ROOF TILE ROLL FORMING MACHINE / 双层瓦成型机
- CORRUGATED ROOF TILE ROLL FORMING MACHINE / 波形瓦成型机

- DOWNPIPE ROLL FORMING MACHINE / 落水管成型机
- STEEL GRAIN SILO FORMING MACHINE / 谷仓成型机
- GUTTER ROLL FORMING MACHINE / 水槽成型机

▶ AIR DUCT MACHINE / 风管系列

- VCD FRAME ROLL FORMING MACHINE / 风阀成型机
- TDF FLANGE ROLL FORMING MACHINE / 法兰成型机
- AIR DUCT PRODUCTION LINE / 风管成型机
- VCD FRAME BLADE ROLL FORMING MACHINE / 叶片成型机

▶ CUSTOMIZATION MACHINE / 定制化成型机

- CABLE TRAY ROLL FORMING MACHINE / 电缆桥架成型机
- STRUT CHANNEL ROLL FORMING MACHINE / 光伏支架成型机
- HIGHWAY GUARDRAIL ROLL FORMING MACHINE / 高速公路成型机
- SOUND BARRIER ROLL FORMING MACHINE / 高速公路吸音板成型机
- SCAFFOLDING WALK BOARD ROLL FORMING MACHINE / 脚手架成型机
- ROLLING SHUTTER DOOR ROLL FORMING MACHINE / 卷闸门成型机

▶ **PRODUCT CATALOG**

宽窄龙骨机 / **DRYWALL STUD & TRACK MAKING MACHINE** ◀

LIGHT STEEL KEEL MACHINE / 龙骨机系列

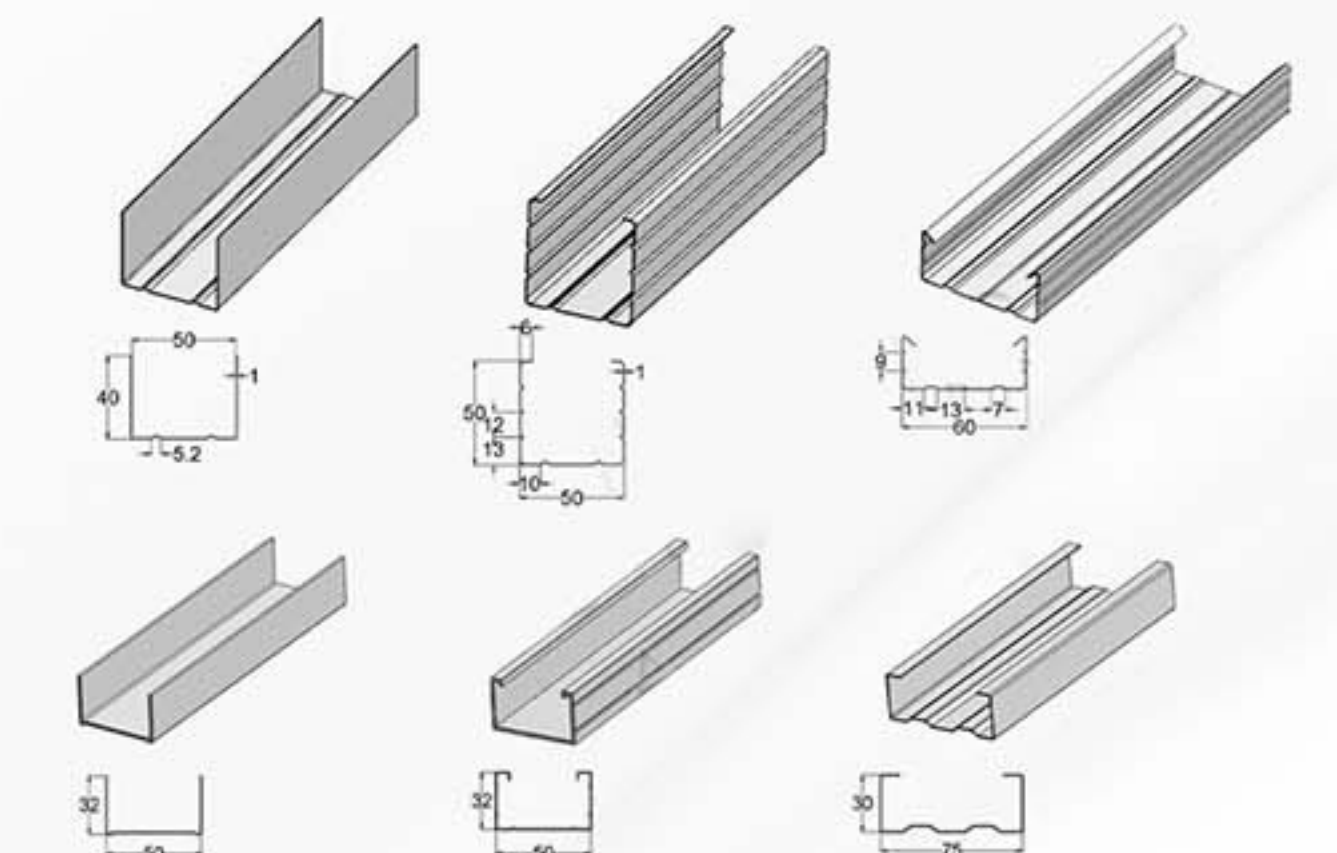
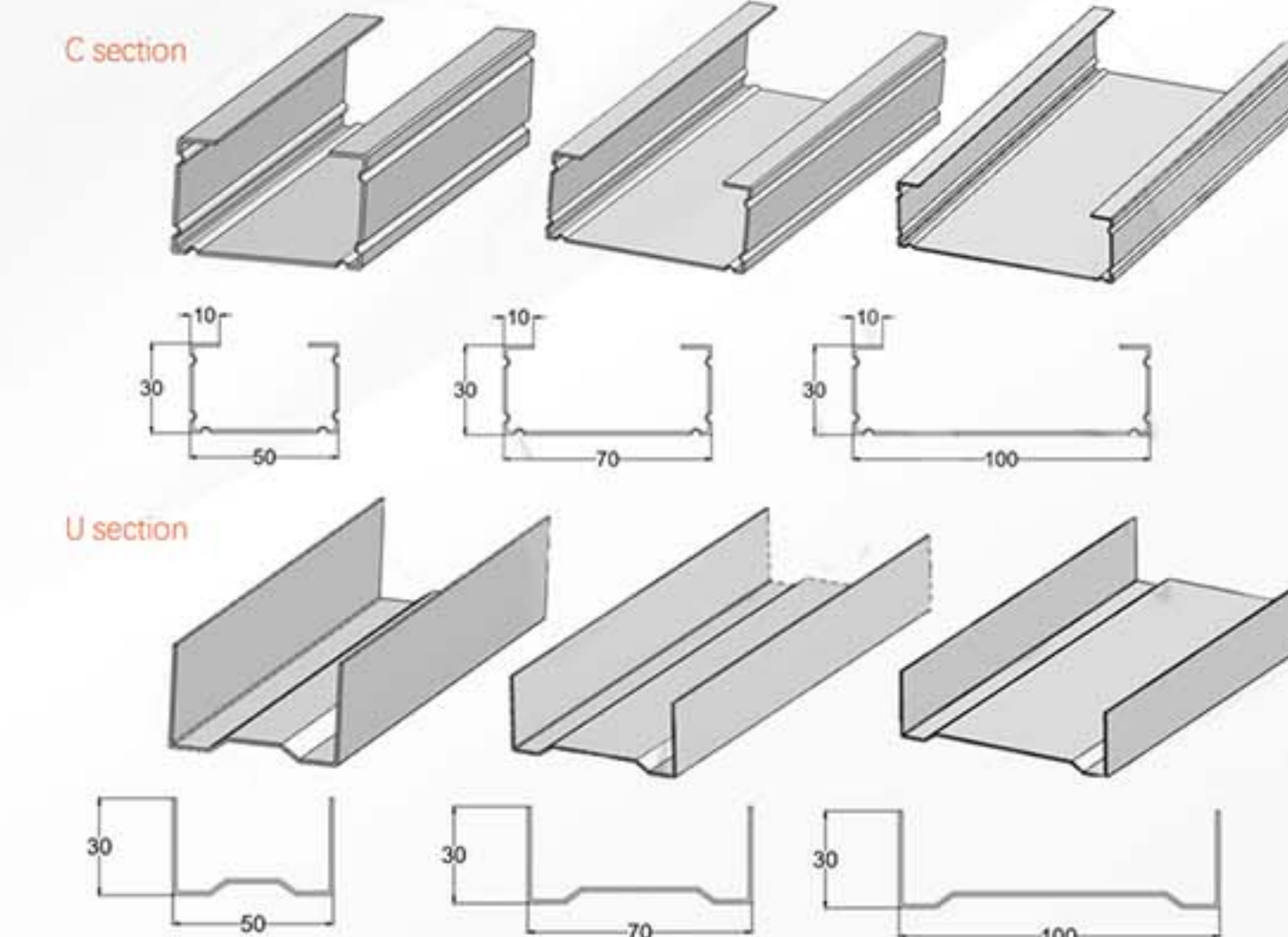
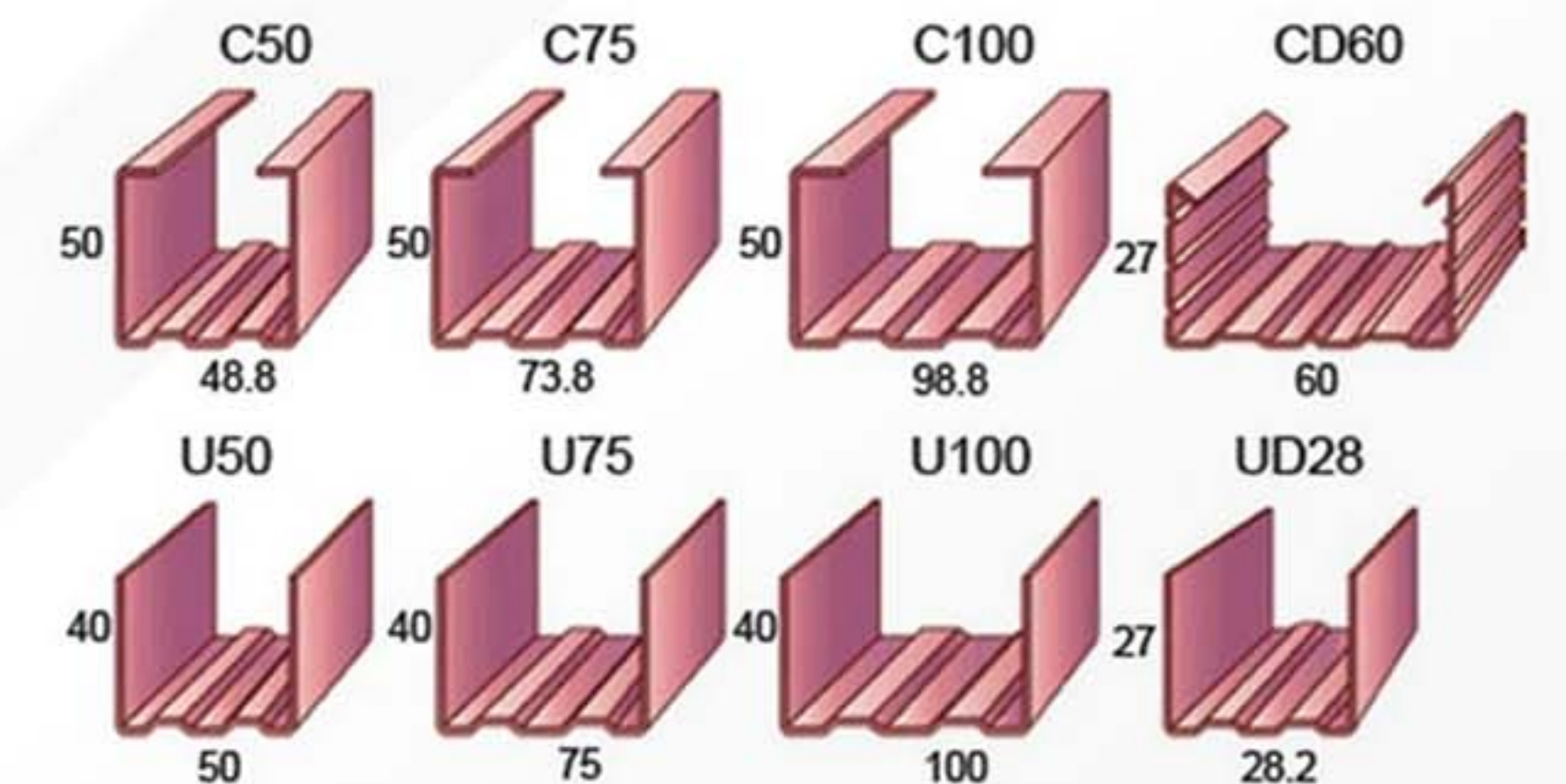
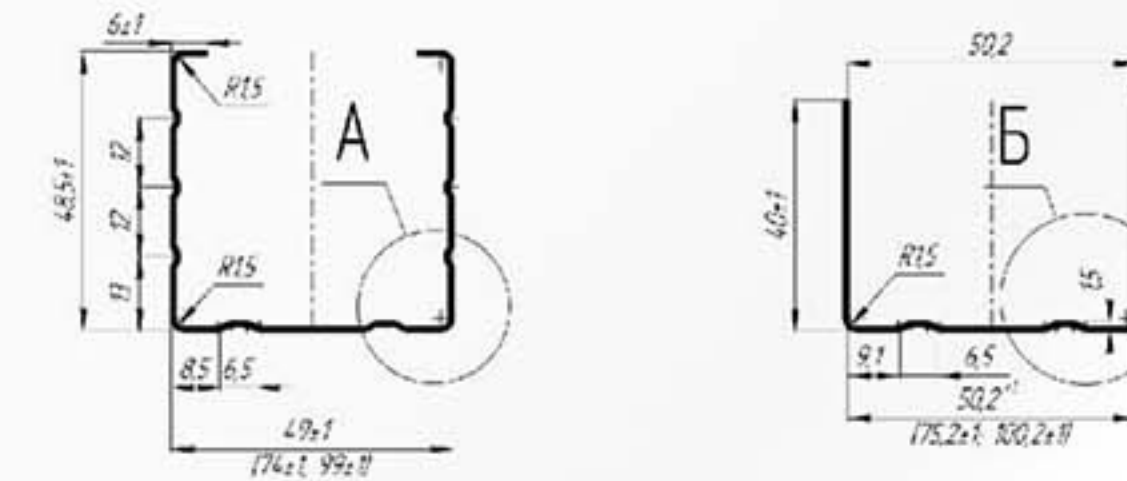
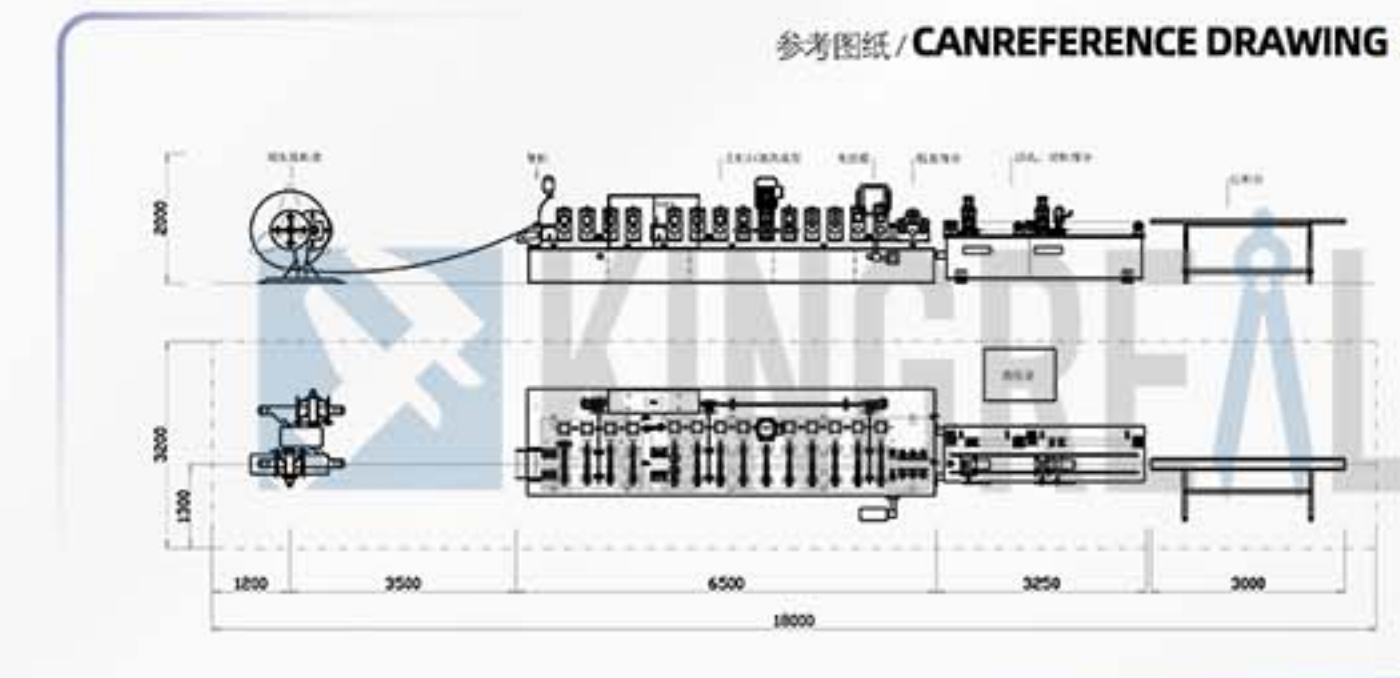
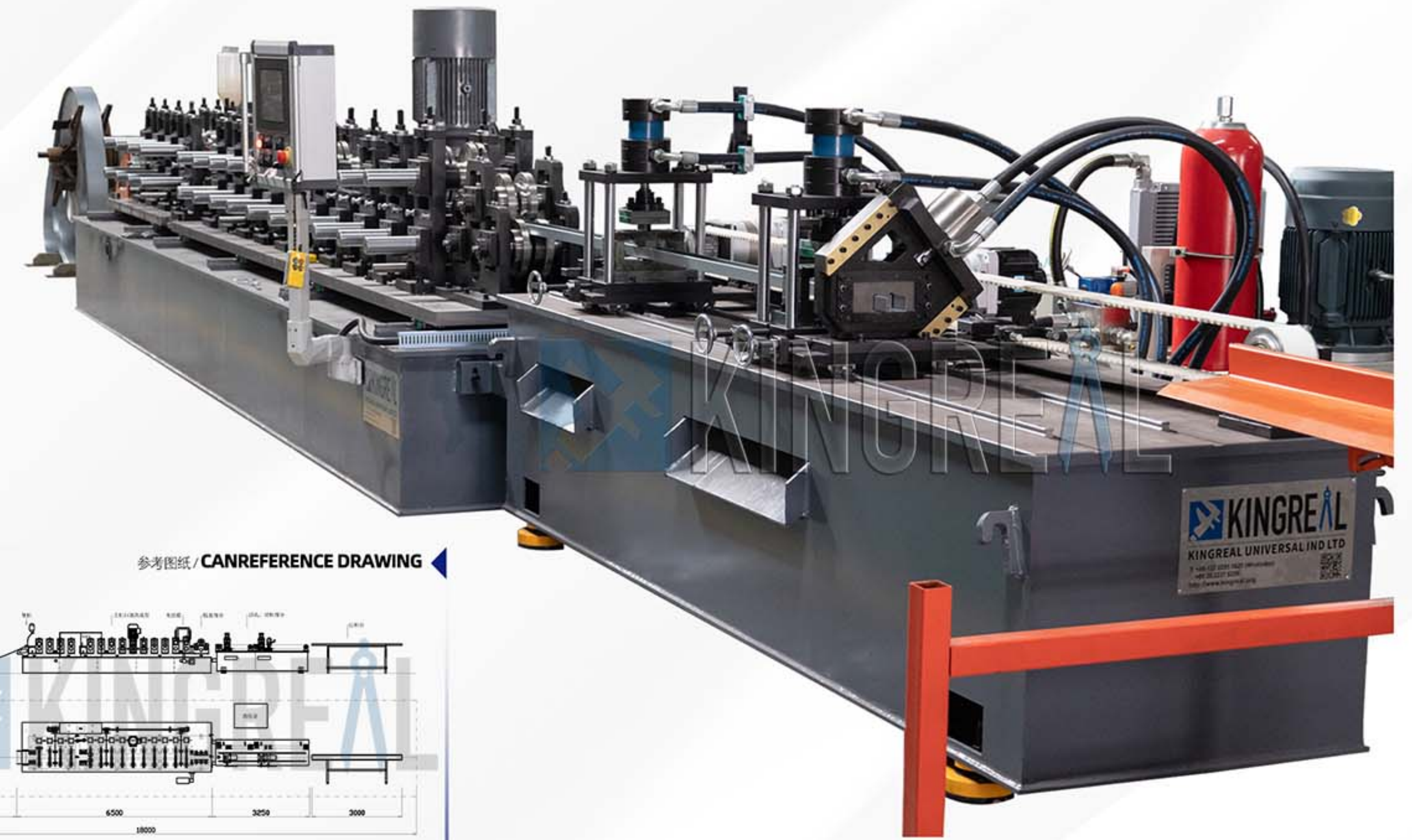
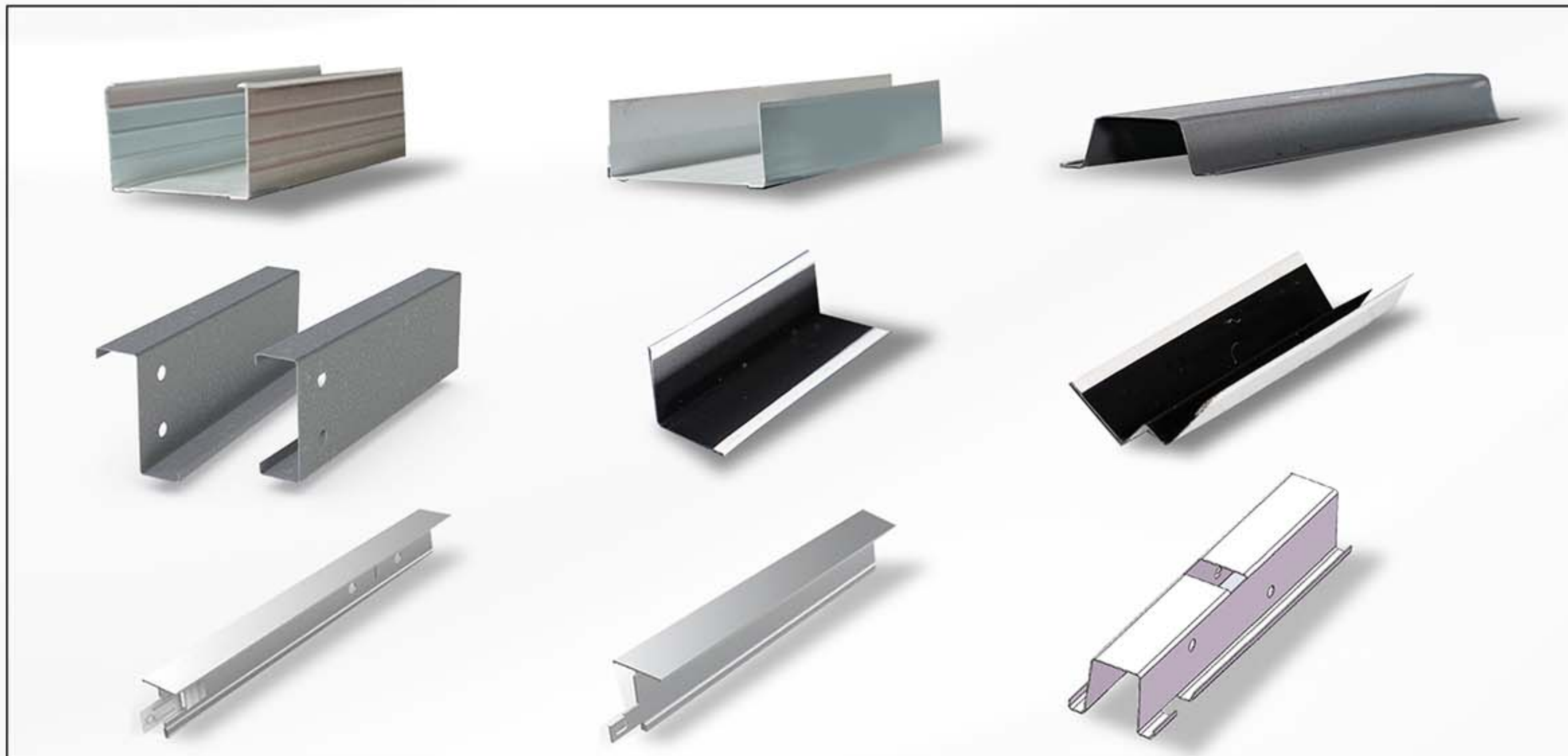
◆ **DRYWALL STUD&TRACK MAKING MACHINE**
宽窄龙骨机

◆ **CEILING CHANNEL ROLL FORMING MACHINE**
轻钢龙骨机

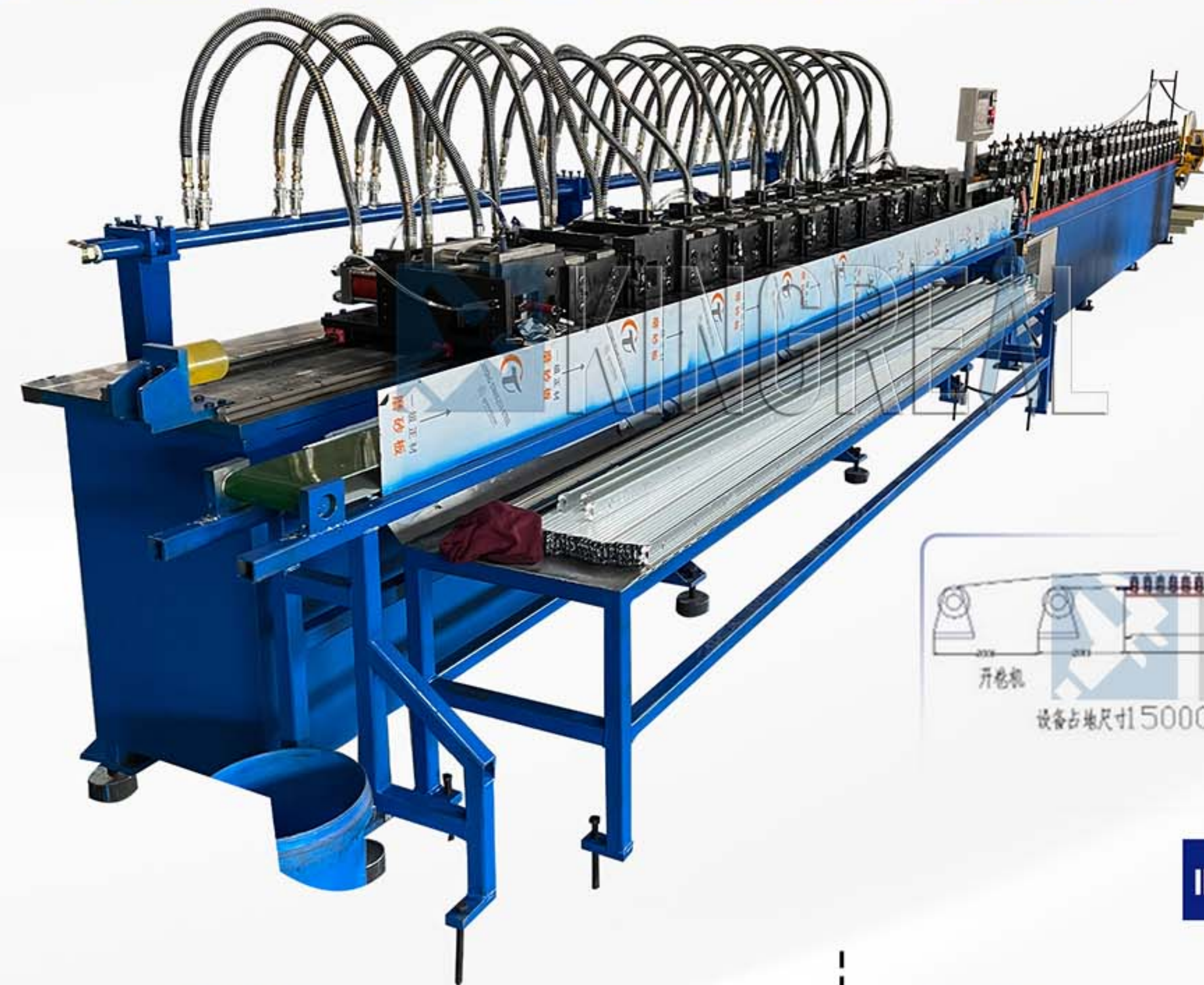
◆ **T BAR CEILING ROLL FORMING MACHINE**
T字龙骨机

◆ **LGS FRAMING HOUSE FORMING MACHINE**
轻型钢框架房屋机

◆ **CZ PURLIN MACHINE**
CZ檩条成型机



▶ **T BAR CEILING ROLL FORMING MACHINE / T字龙骨机**

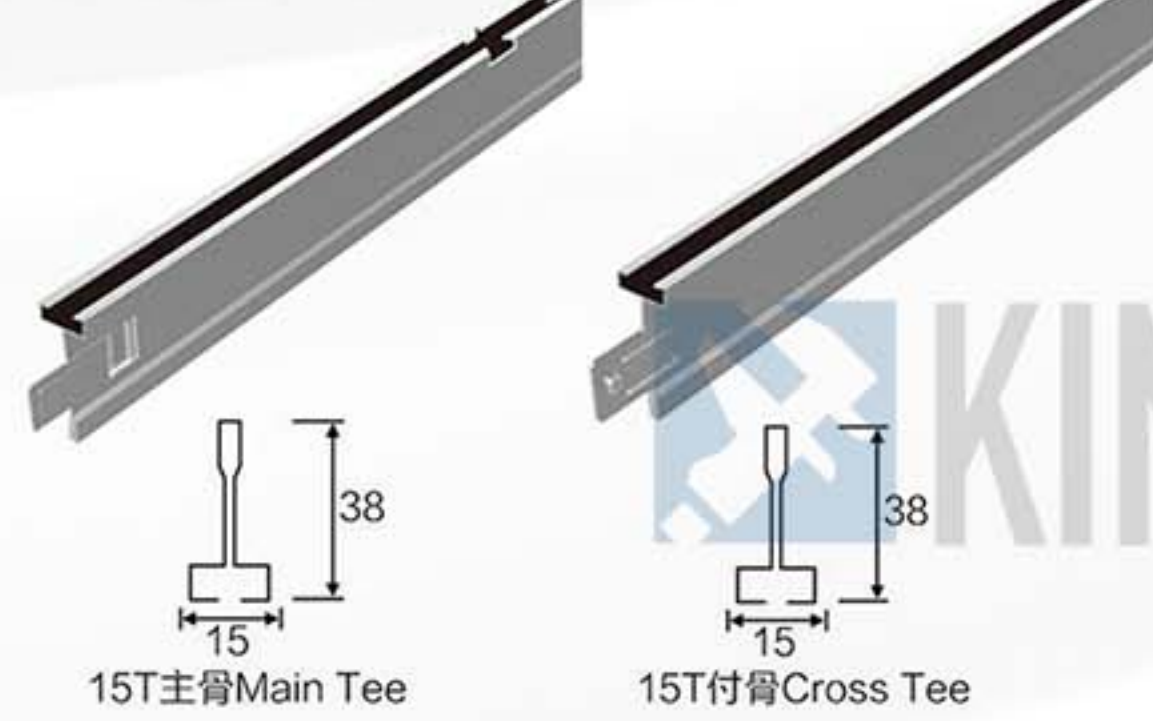


参考图纸 / CANREFERENCE DRAWING

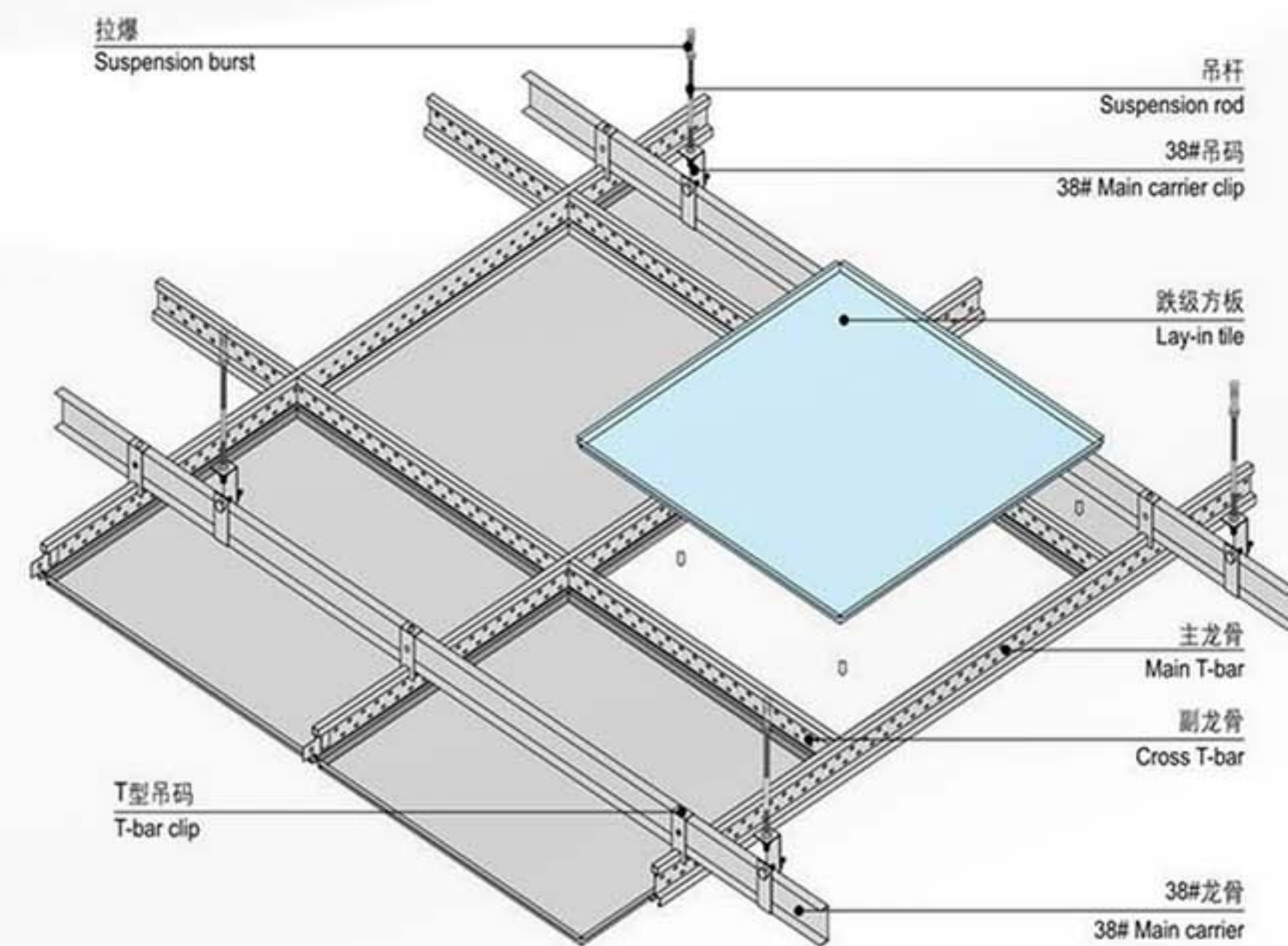
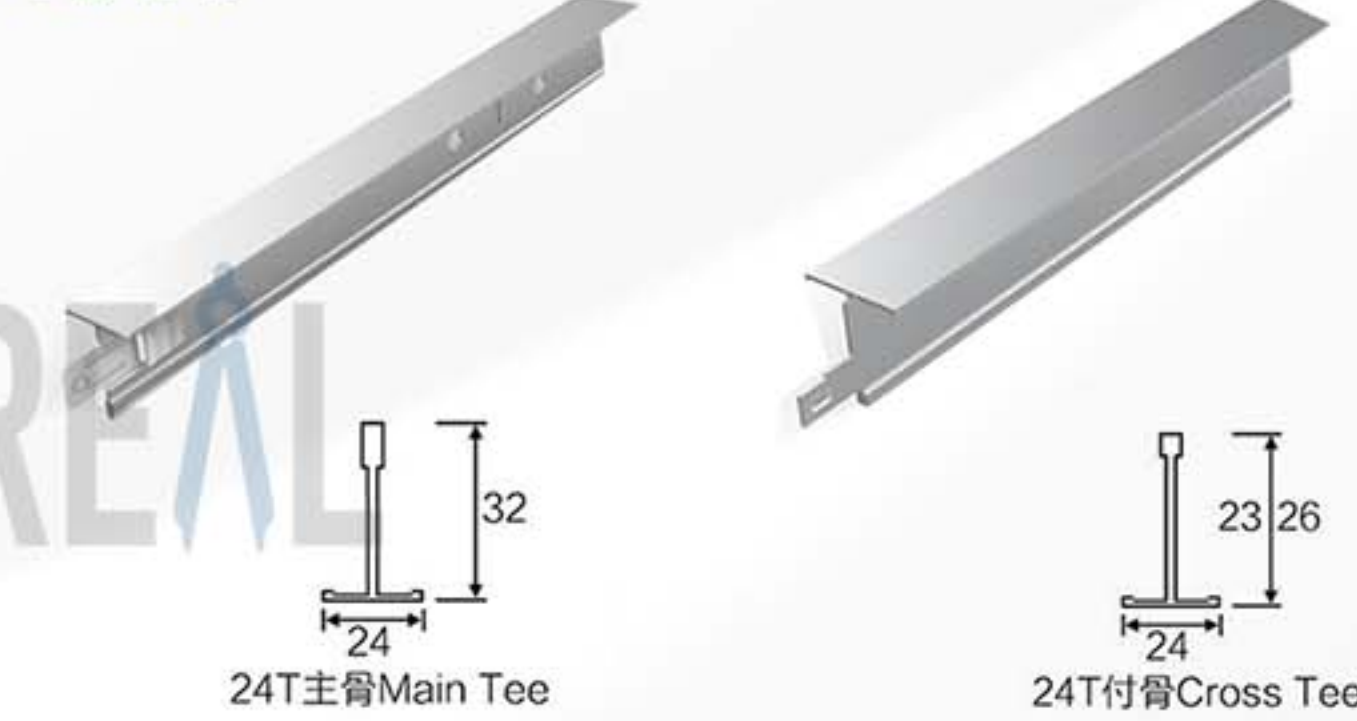


INSTALLATION DRAWINGS

SILHOUETTE



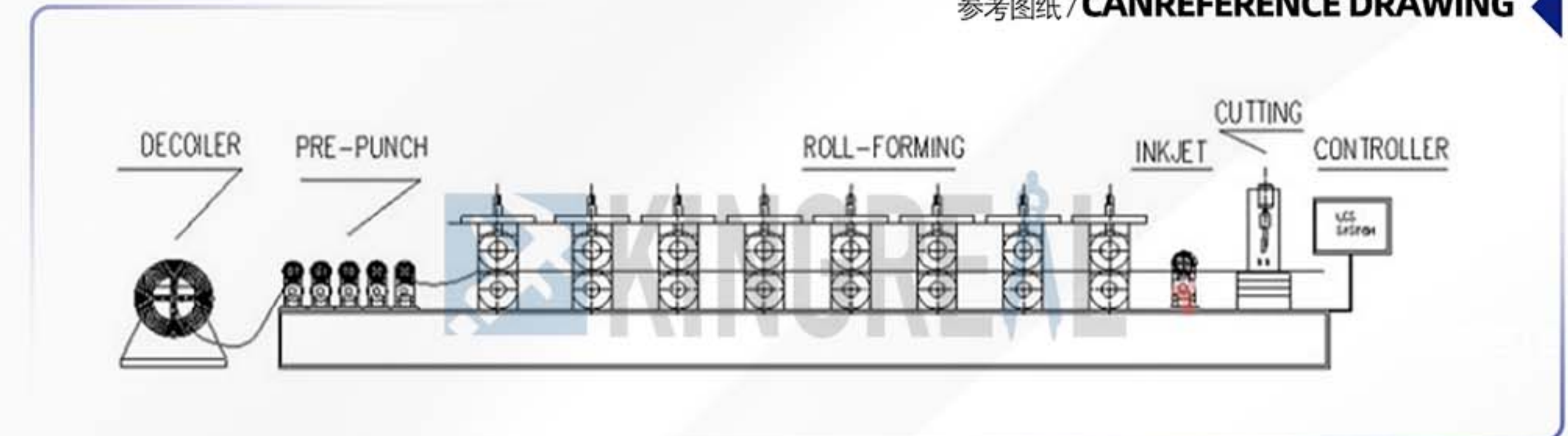
FLAT T



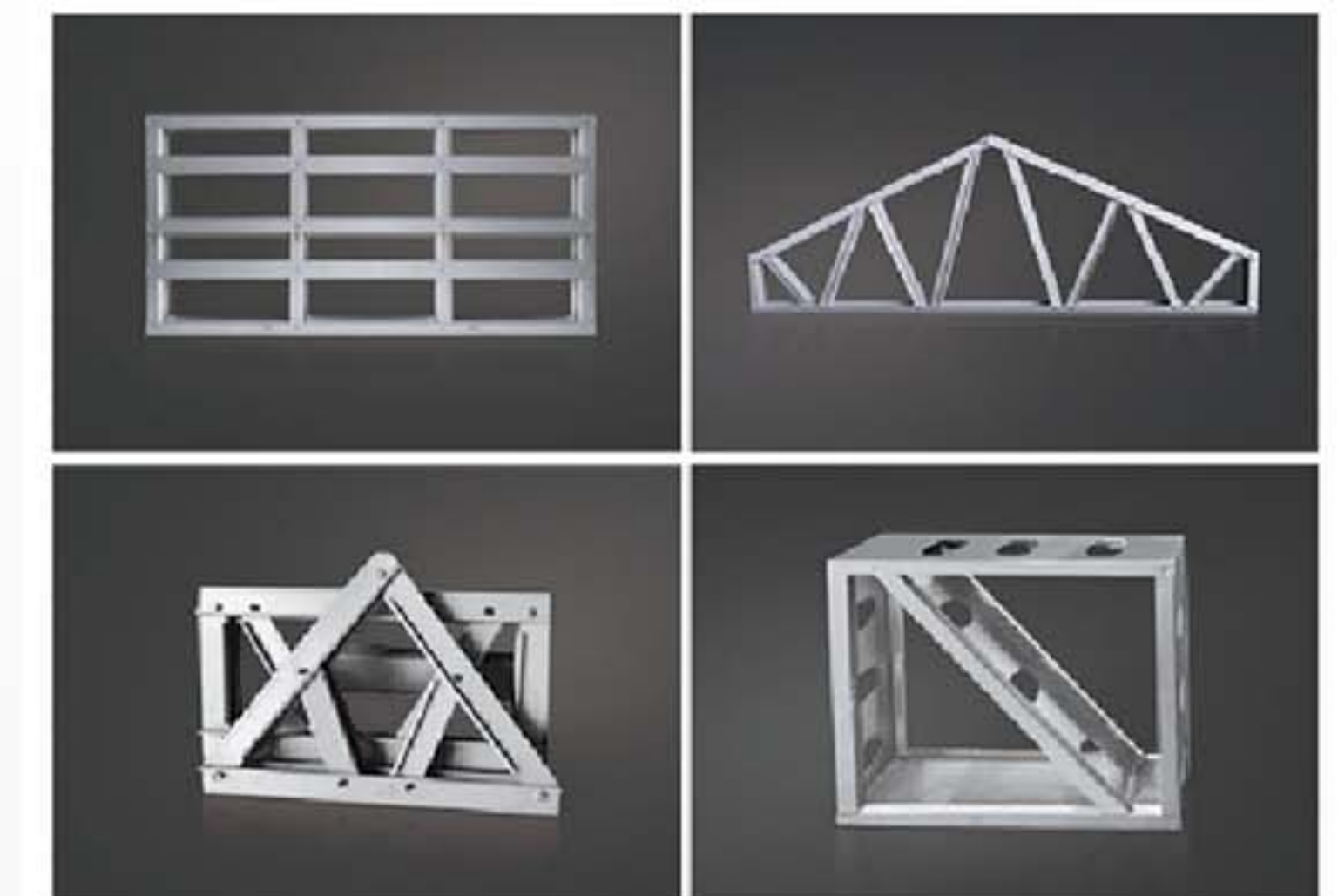
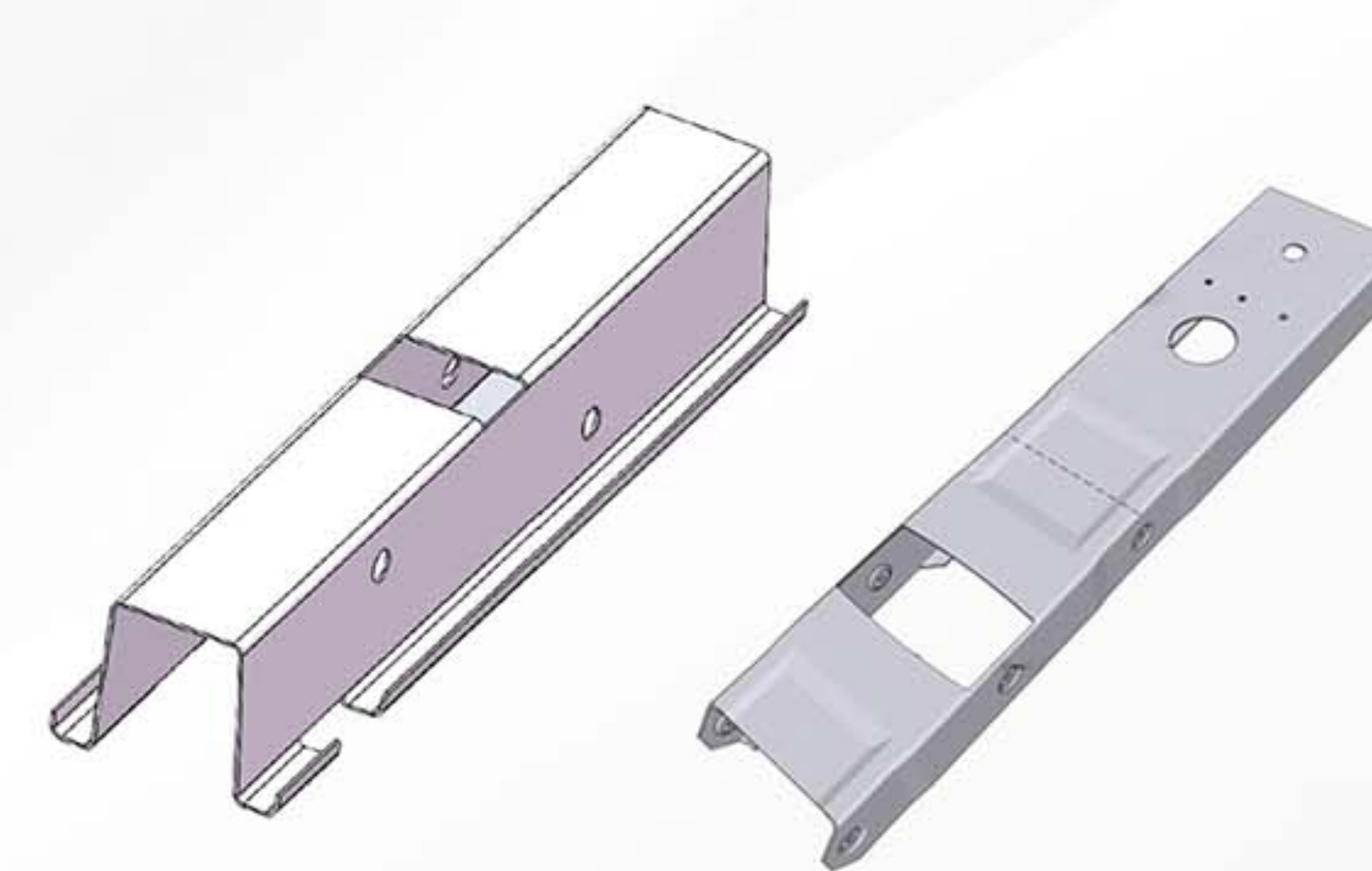
轻型钢框架房屋机 / **LGS FRAMING HOUSE FORMING MACHINE** ◀



参考图纸 / CANREFERENCE DRAWING



MATERIAL THICKNESS	POWER REQUEST	MAX SPEED OF PRODUCTION	SPEED
0.8-1.5MM	380V50HZ	1600M/H	350-900M/H

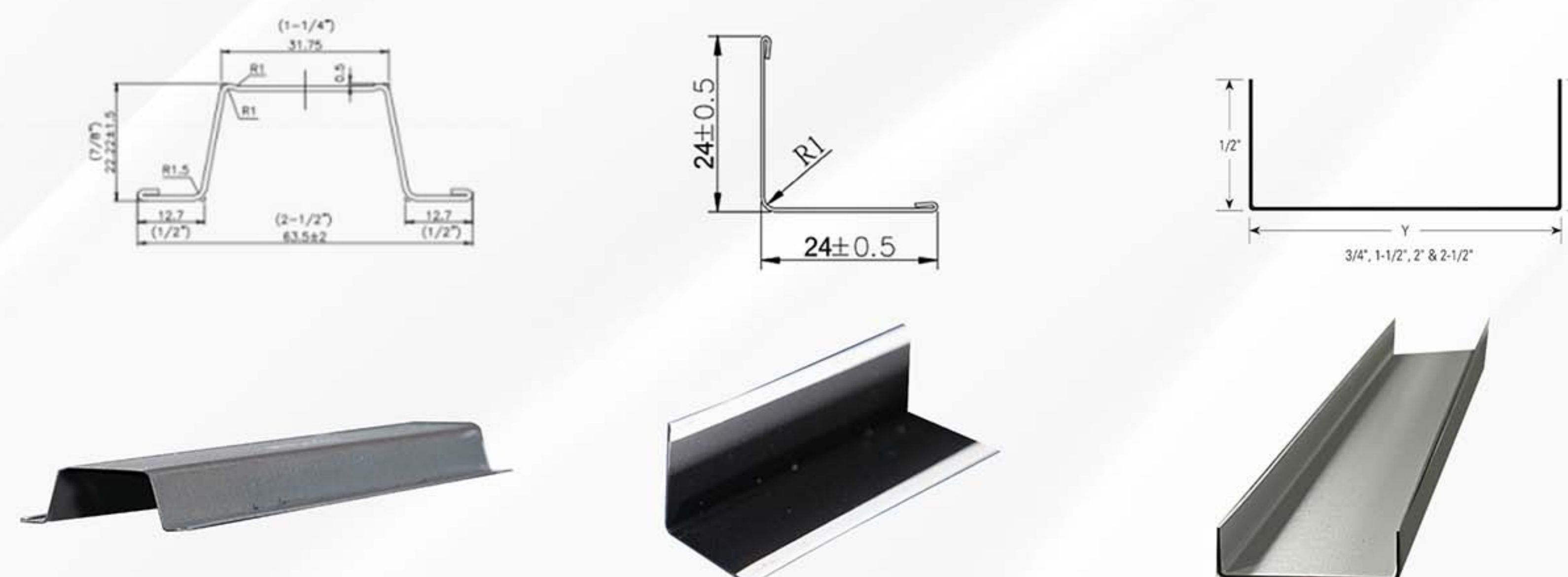


► **CEILING CHANNEL ROLL FORMING MACHINE / 轻钢龙骨机**



MATERIAL	MATERIAL THICKNESS	TOTAL POWER	SPEED
GI STRIP	0.4MM-1.3 MM	~ 18.5 KW	90-120M/MIN

REFERENCE DRAWING

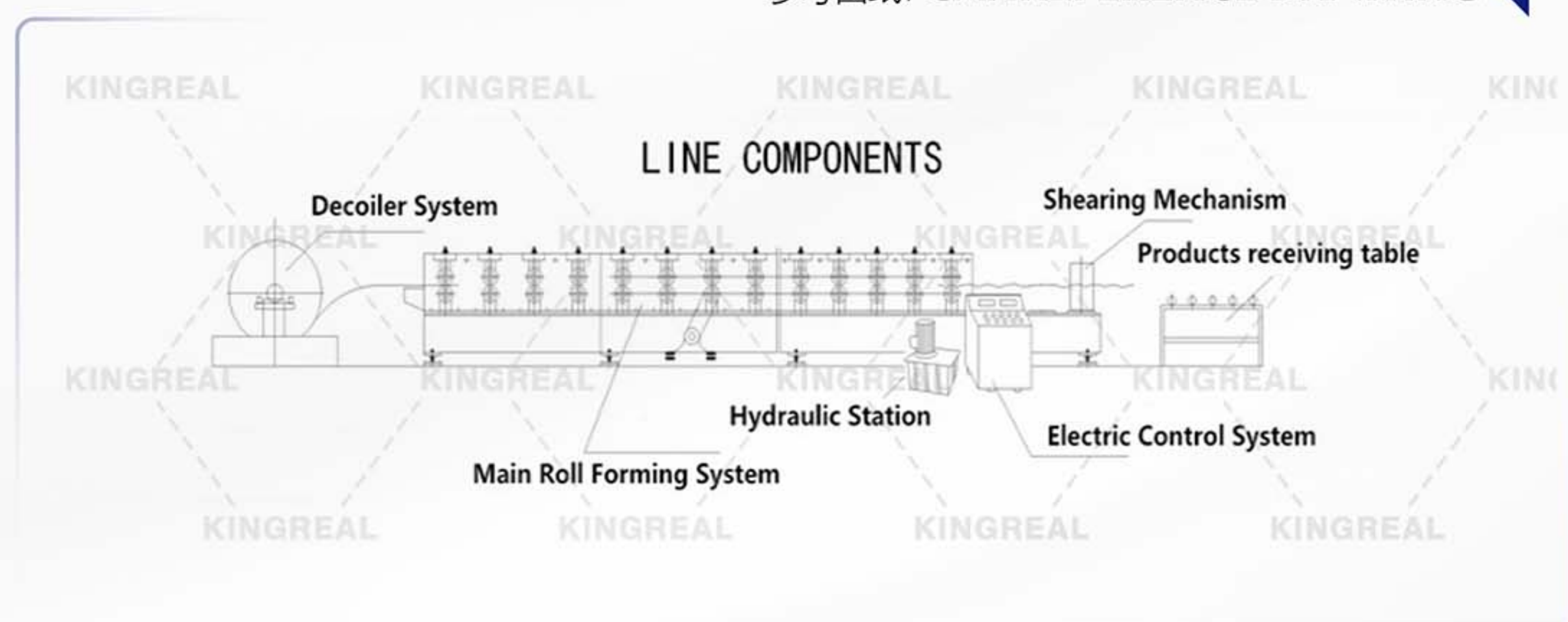


WALL ANGLE PROFILES

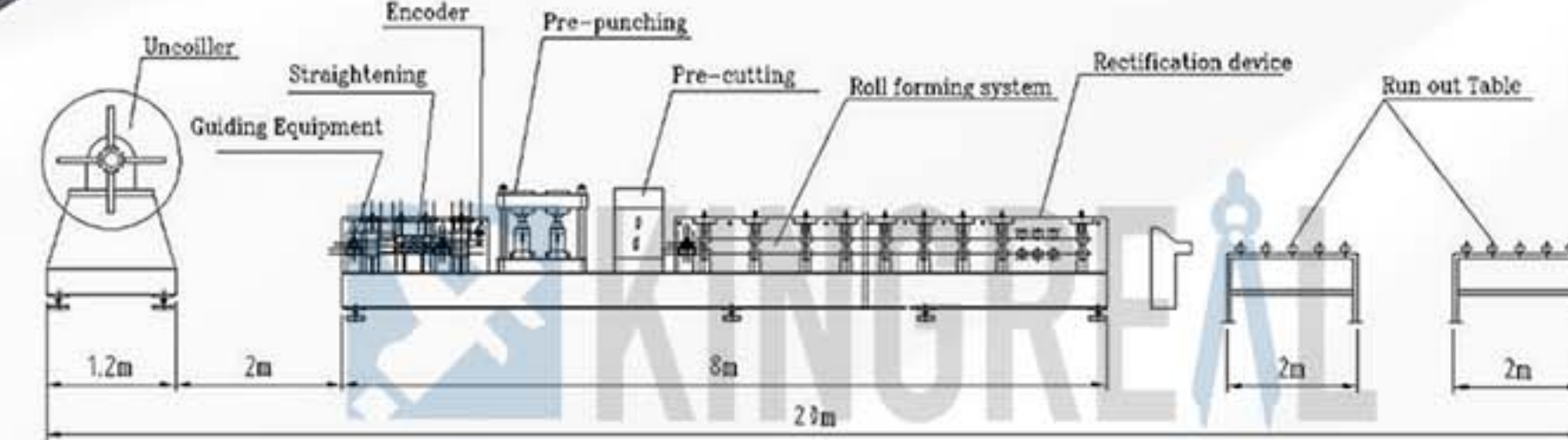
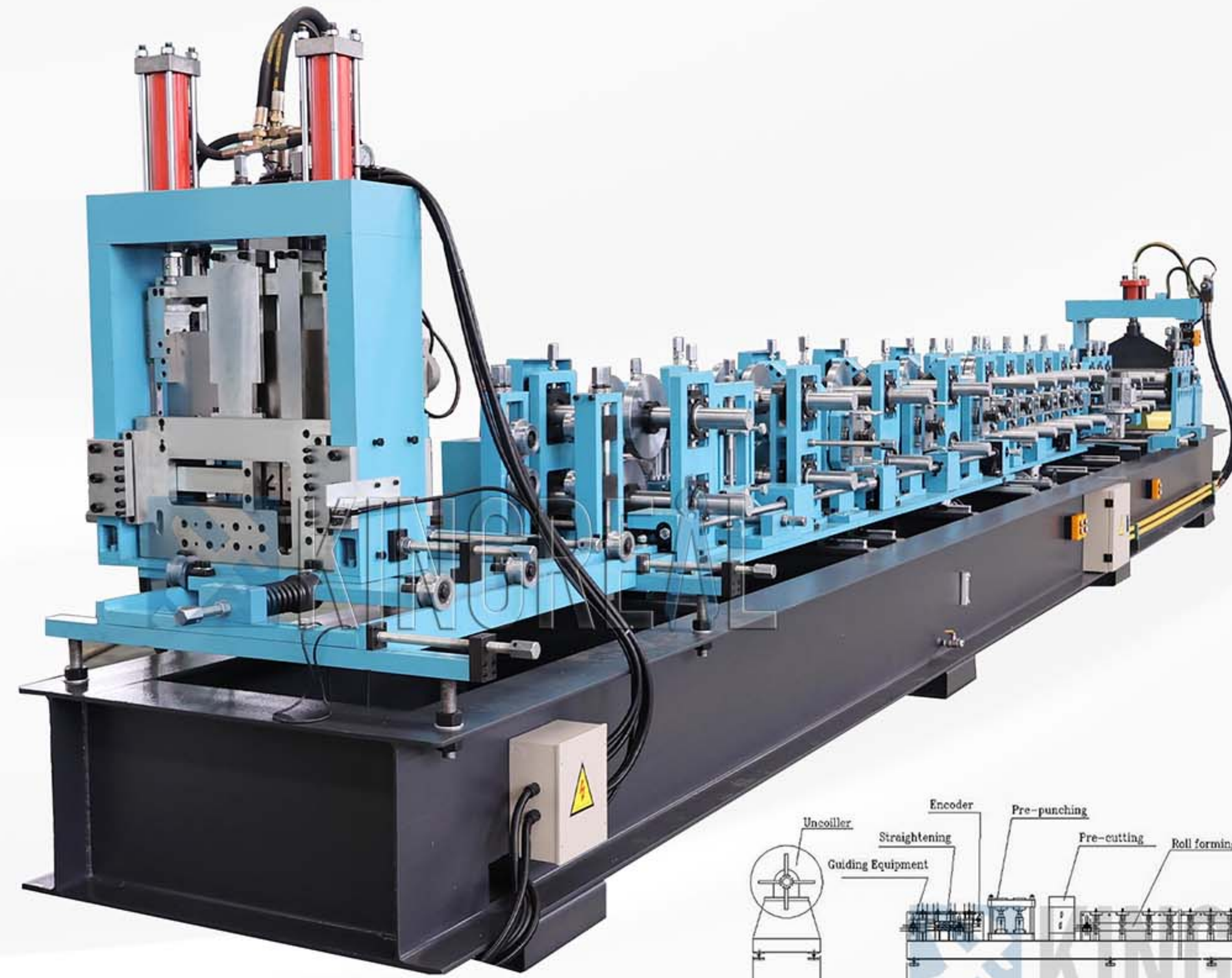
Wide Wall Angle	Slim Wall Angle	W Type Wall Angle	Groove Wall Angle
3000mm*22mm*22mm	3000mm*22mm*14 mm	3000mm*25mm*21mm	3000mm*22mm*14 mm



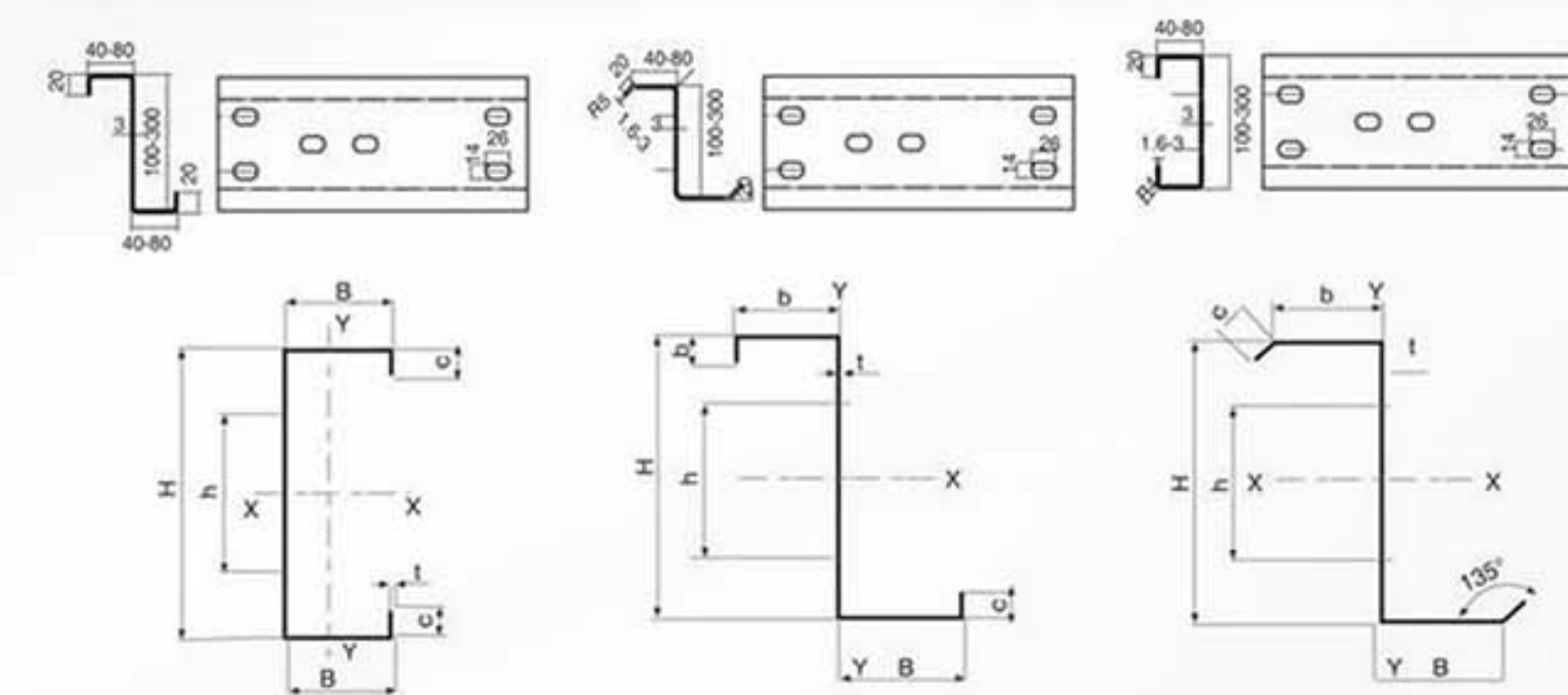
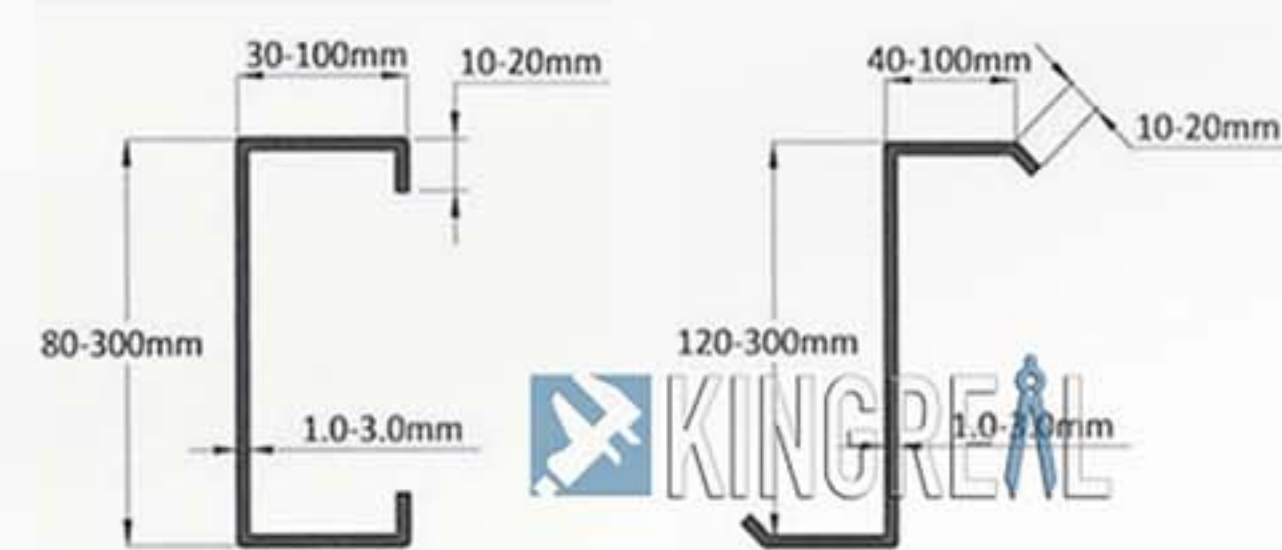
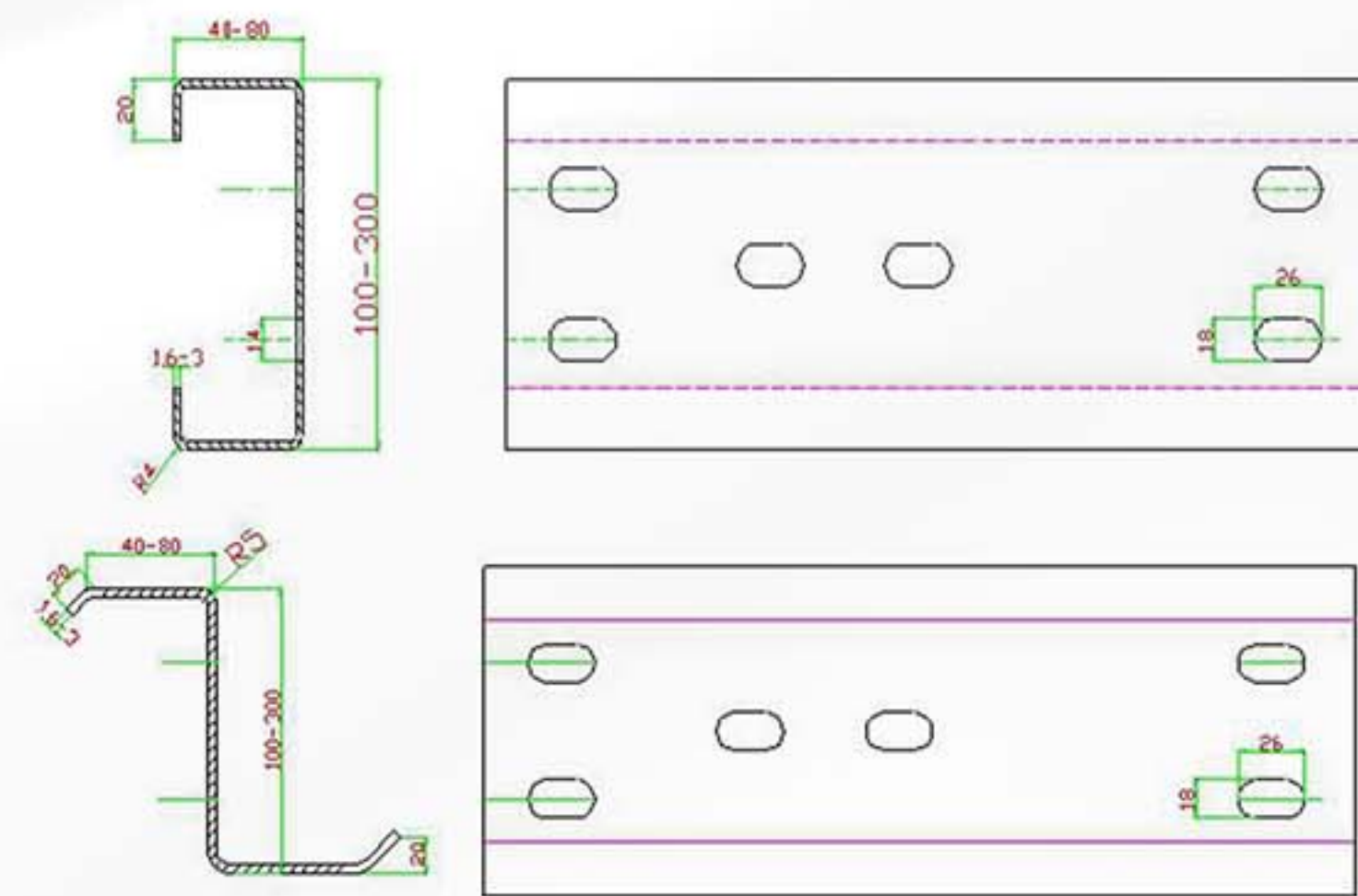
参考图纸 / **CANREFERENCE DRAWING**



► **CZ PURLIN ROLL FORMING MACHINE / CZ檩条成型机**



REFERENCE DRAWING



PRODUCT CATALOG ◀

仓储设备 / WAREHOUSING MACHINE

METAL SHELF ROLL FORMING MACHINE
货架板成型机



UPRIGHT POST ROLL FORMING MACHINE
立柱成型机



WALL ANGLE PROFILES ROLL FORMING MACHINE
角钢成型机



BOX BEAM ROLL FORMING MACHINE
箱梁成型机



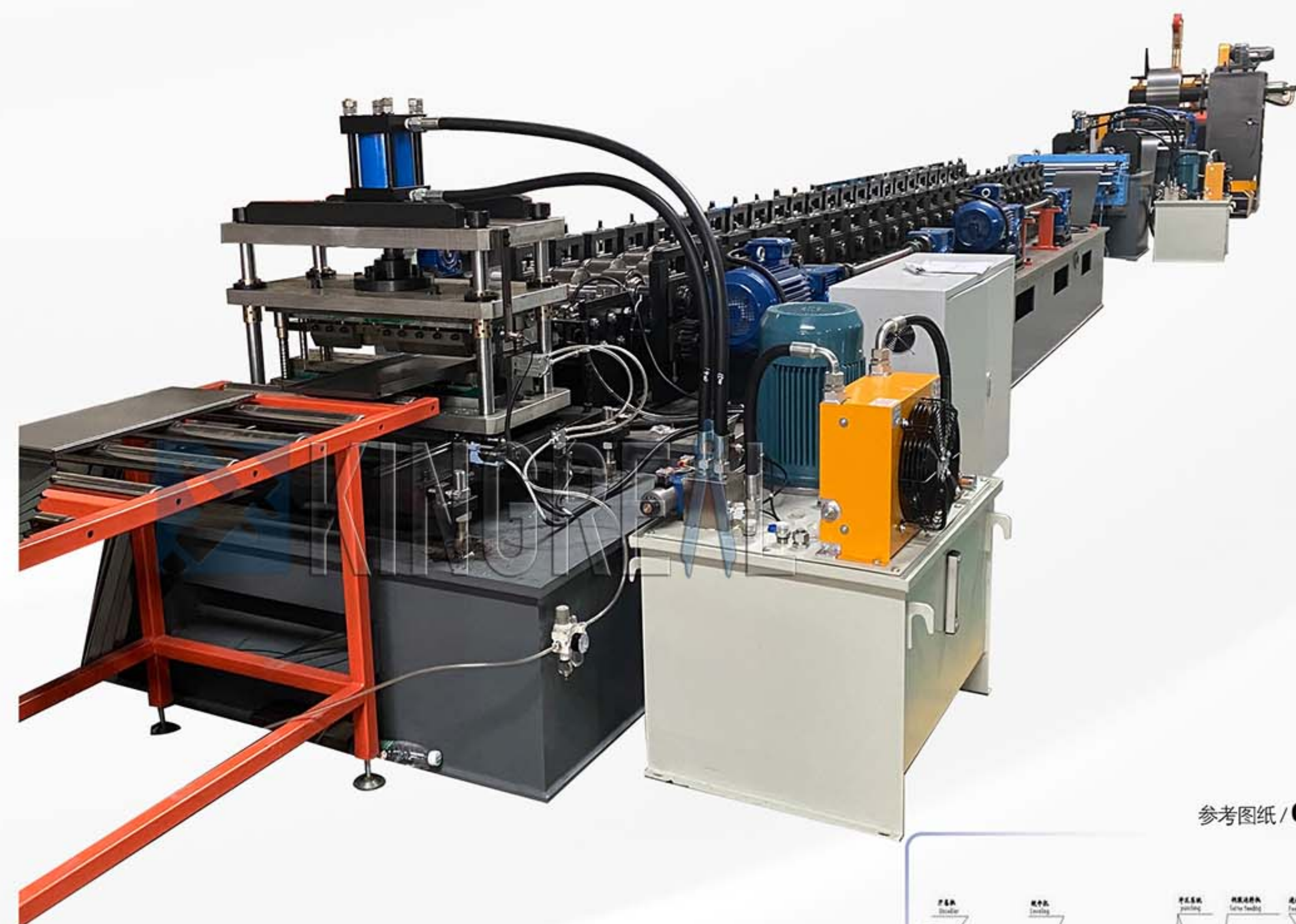
STEP BEAM ROLL FORMING MACHINE
阶梯梁成型机



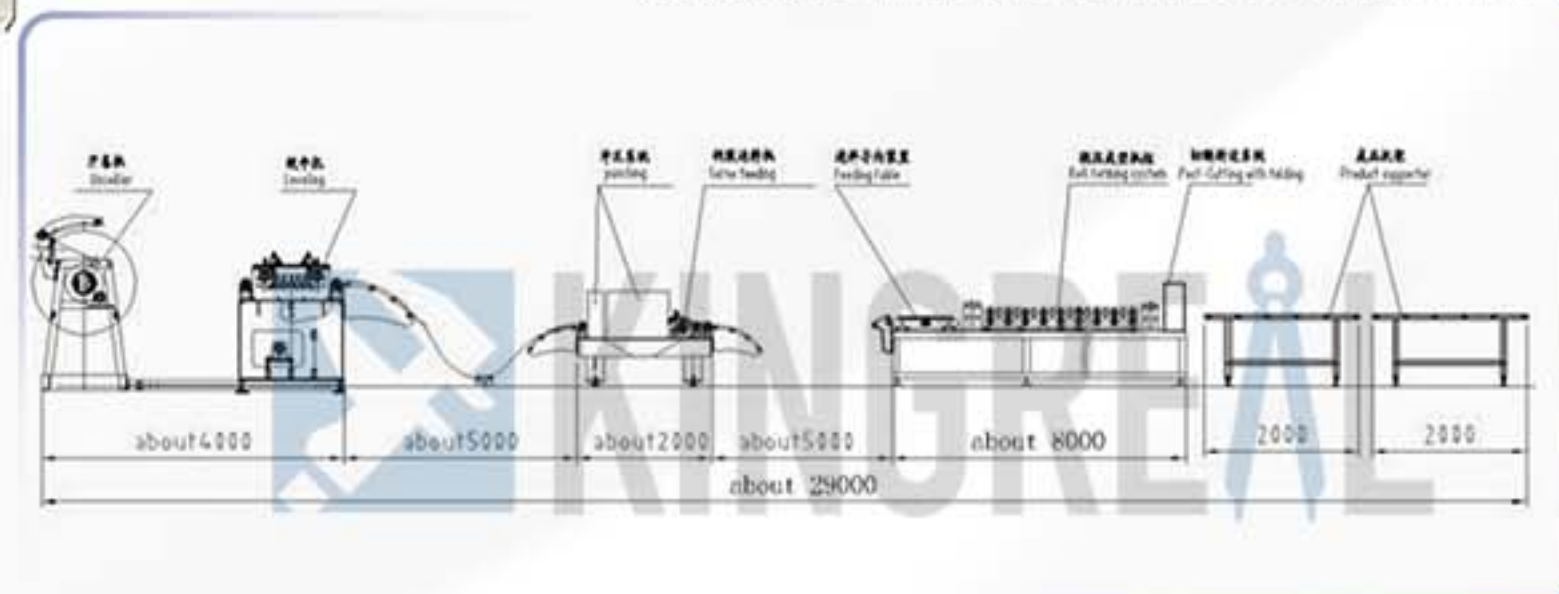
STEEL PATTET FORMING MACHINE
钢托盘成型机



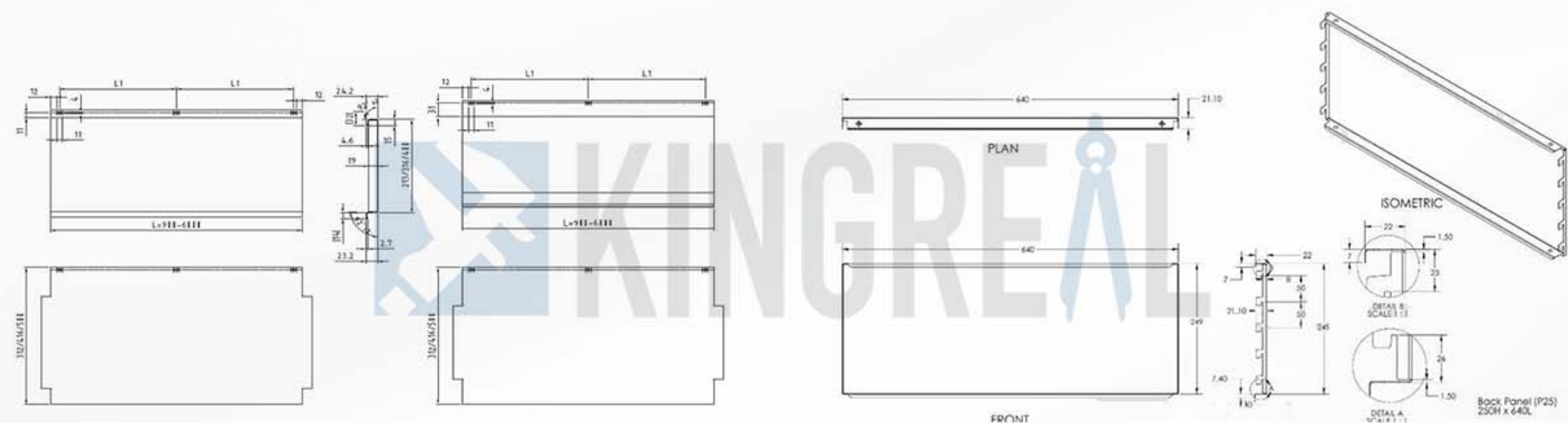
▶ METAL SHELF ROLL FORMING MACHINE / 货架板成型机



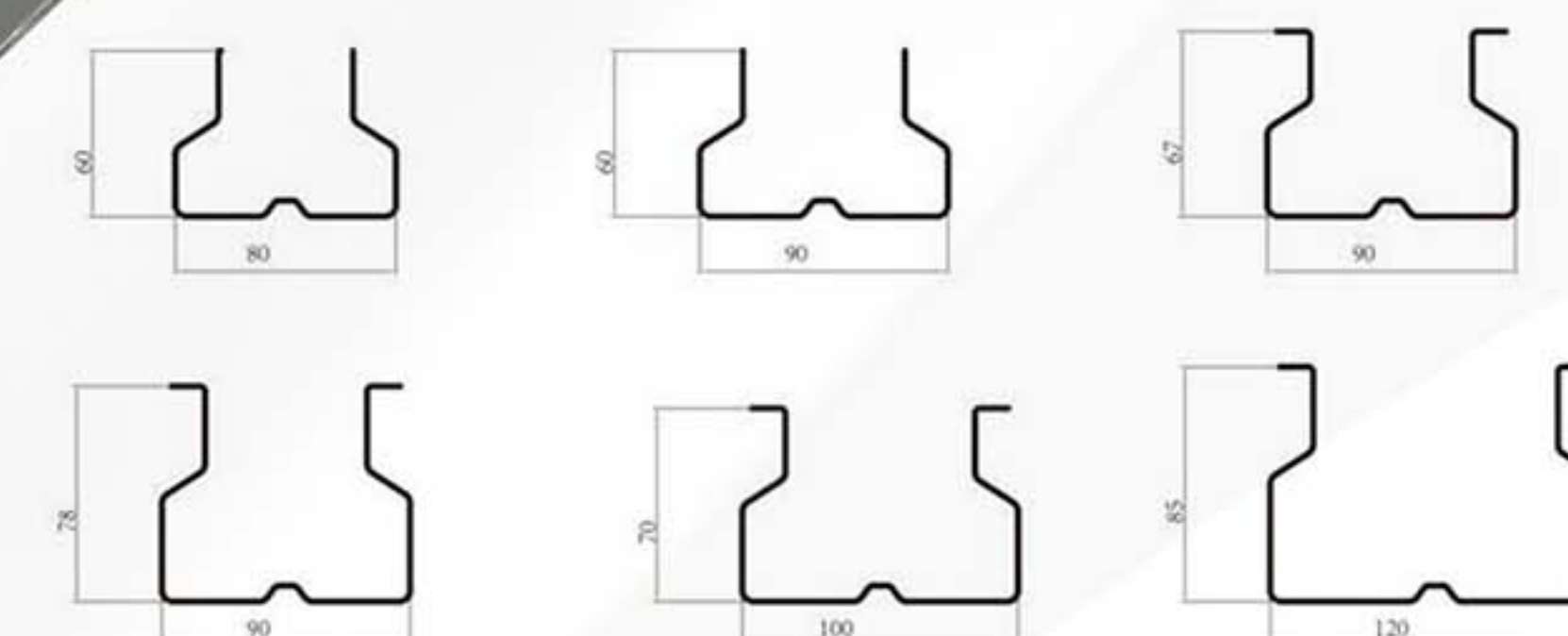
参考图纸 / CANREFERENCE DRAWING



REFERENCE DRAWING



立柱成型机 / UPRIGHT POST ROLL FORMING MACHINE ◀



角钢成型机 / WALL ANGLE PROFILES ROLL FORMING MACHINE ◀



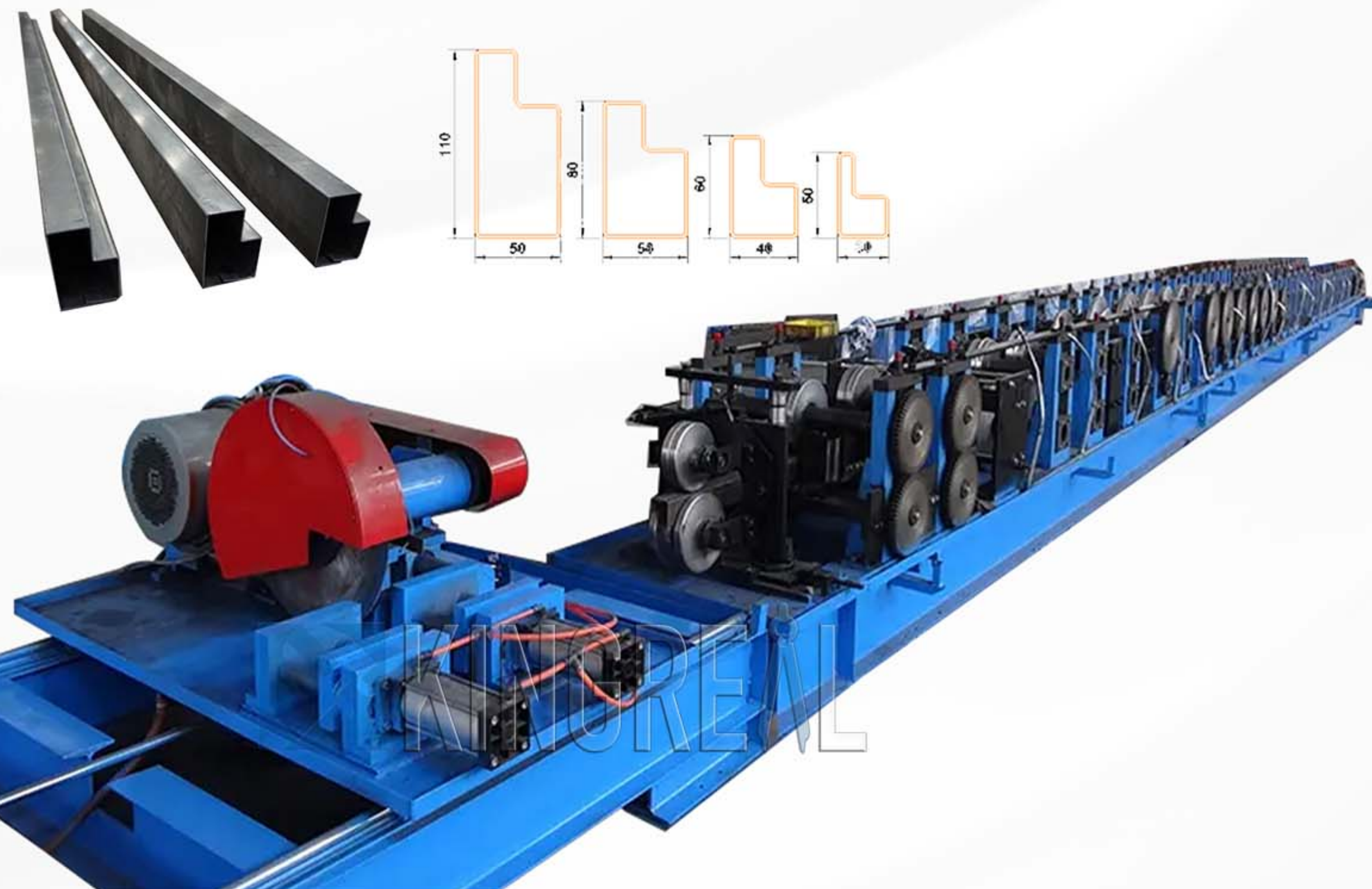
▶ **BOX BEAM ROLL FORMING MACHINE / 箱梁成型机**



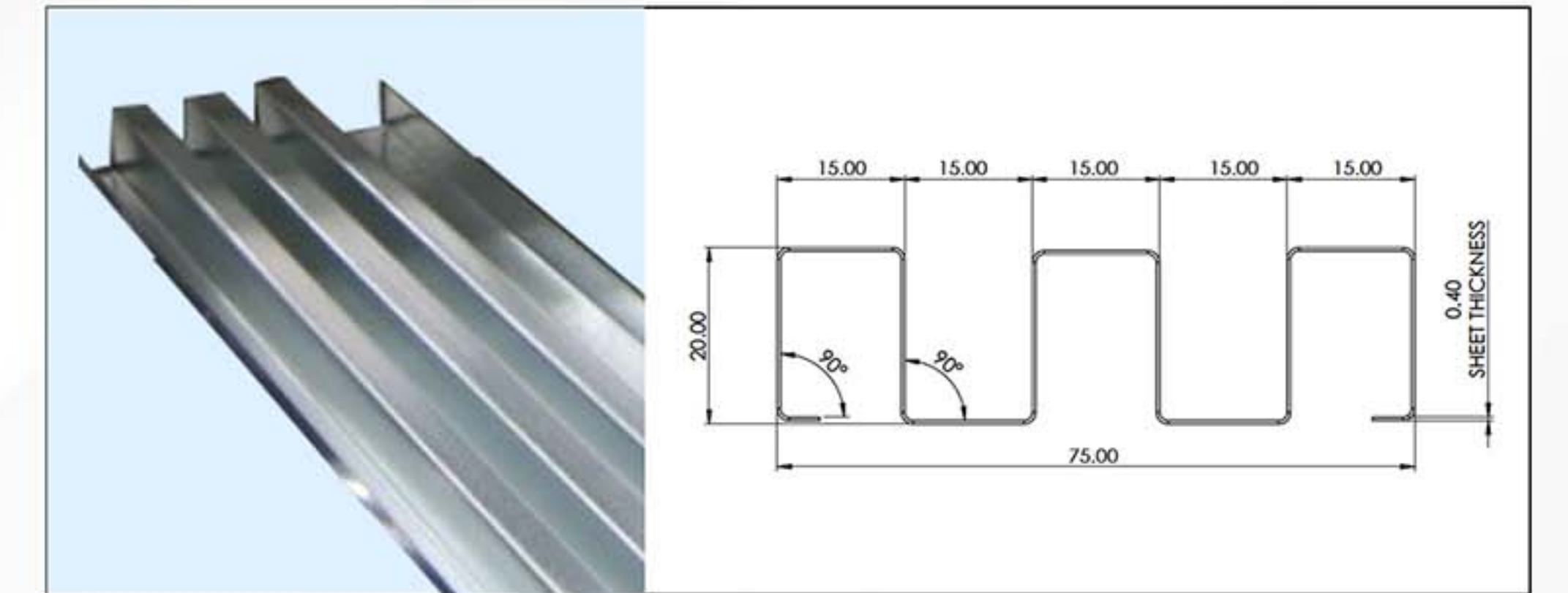
钢托盘成型机/ **STEEL PATTET ROLL FORMING MACHINE** ◀



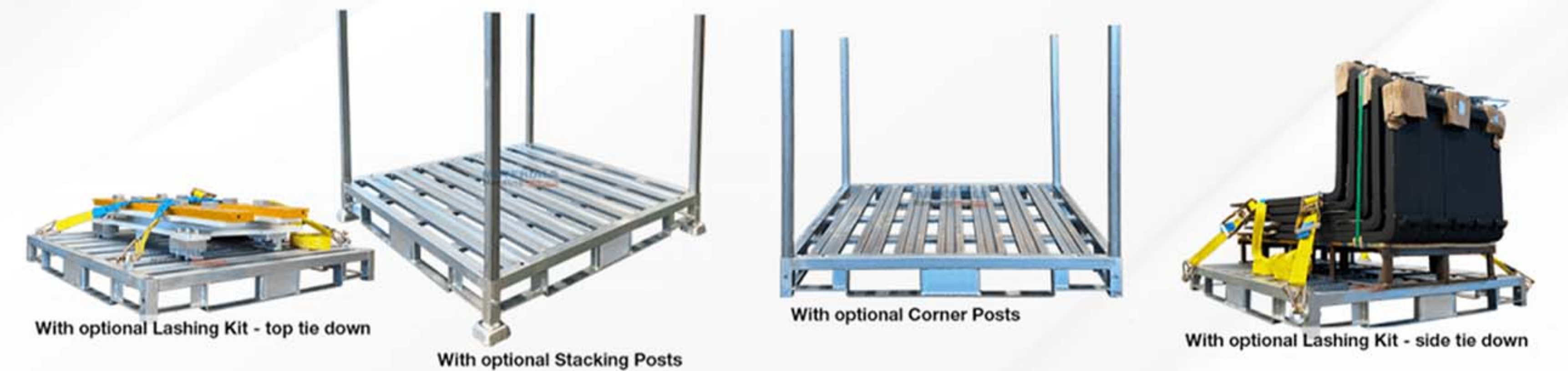
▶ **STEP BEAM ROLL FORMING MACHINE / 阶梯梁成型机**



REFERENCE DRAWING



APPLICATION



▶ **PRODUCT CATALOG**

ROOF TILE MACHINE / 瓦机系列

◆ **GLAZED ROOL TILE ROLL FORMING MACHINE**
琉璃瓦成型机

◆ **DOUBLE LAYER ROOF TILE ROLL FORMING MACHINE**
双层瓦成型机

◆ **CORRUGATED ROOF TILE ROLL FORMING MACHINE**
波形瓦成型机

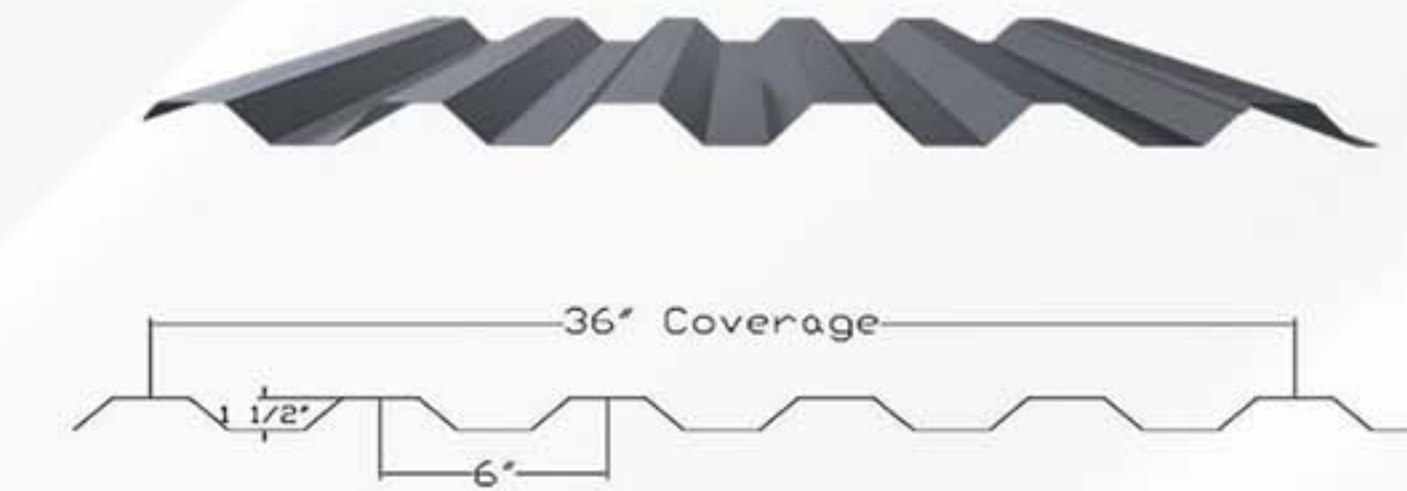
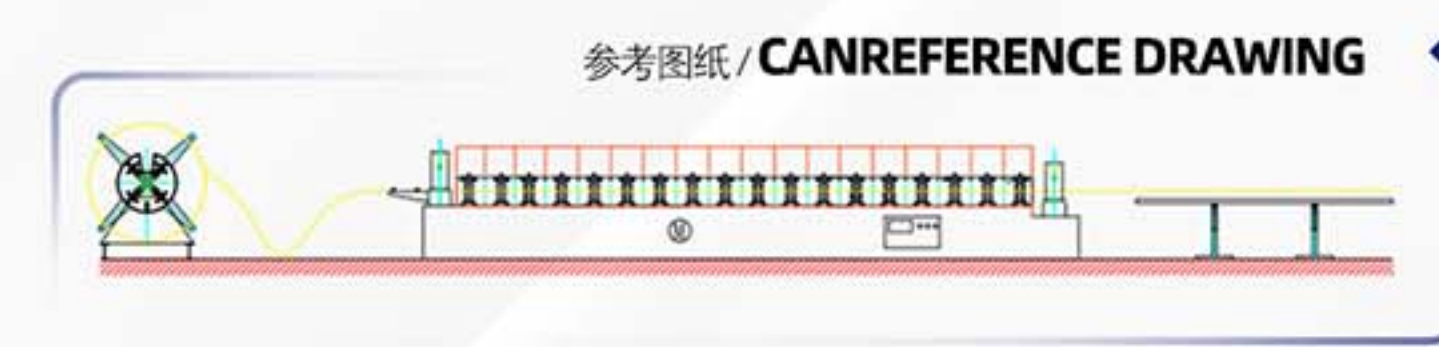
◆ **DOWNPIPE ROLL FORMING MACHINE**
落水管成型机

◆ **GUTTER ROLL FORMING MACHINE**
水槽成型机

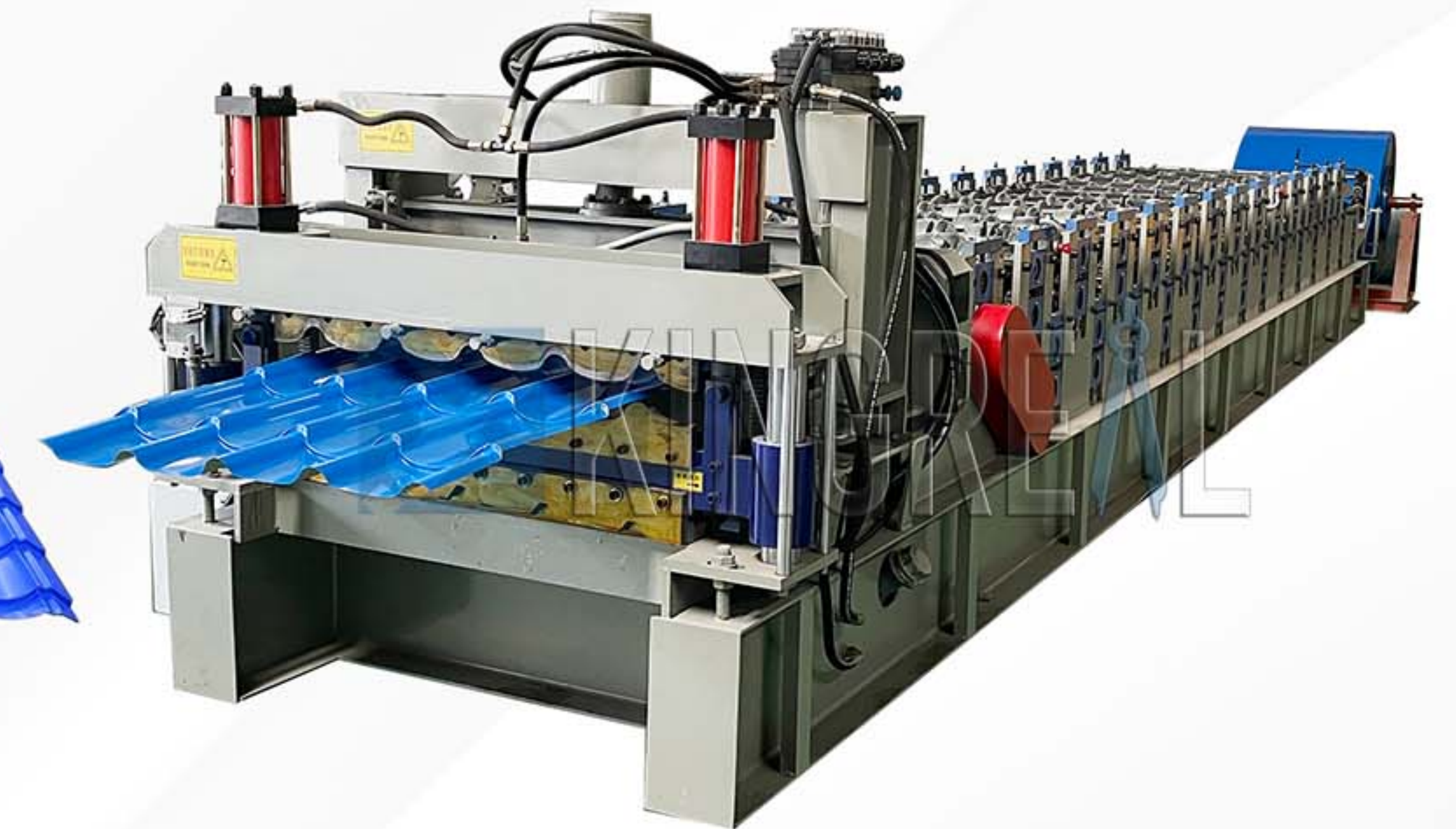
◆ **STEEL GRAIN SILO FORMING MACHINE**
谷仓成型机



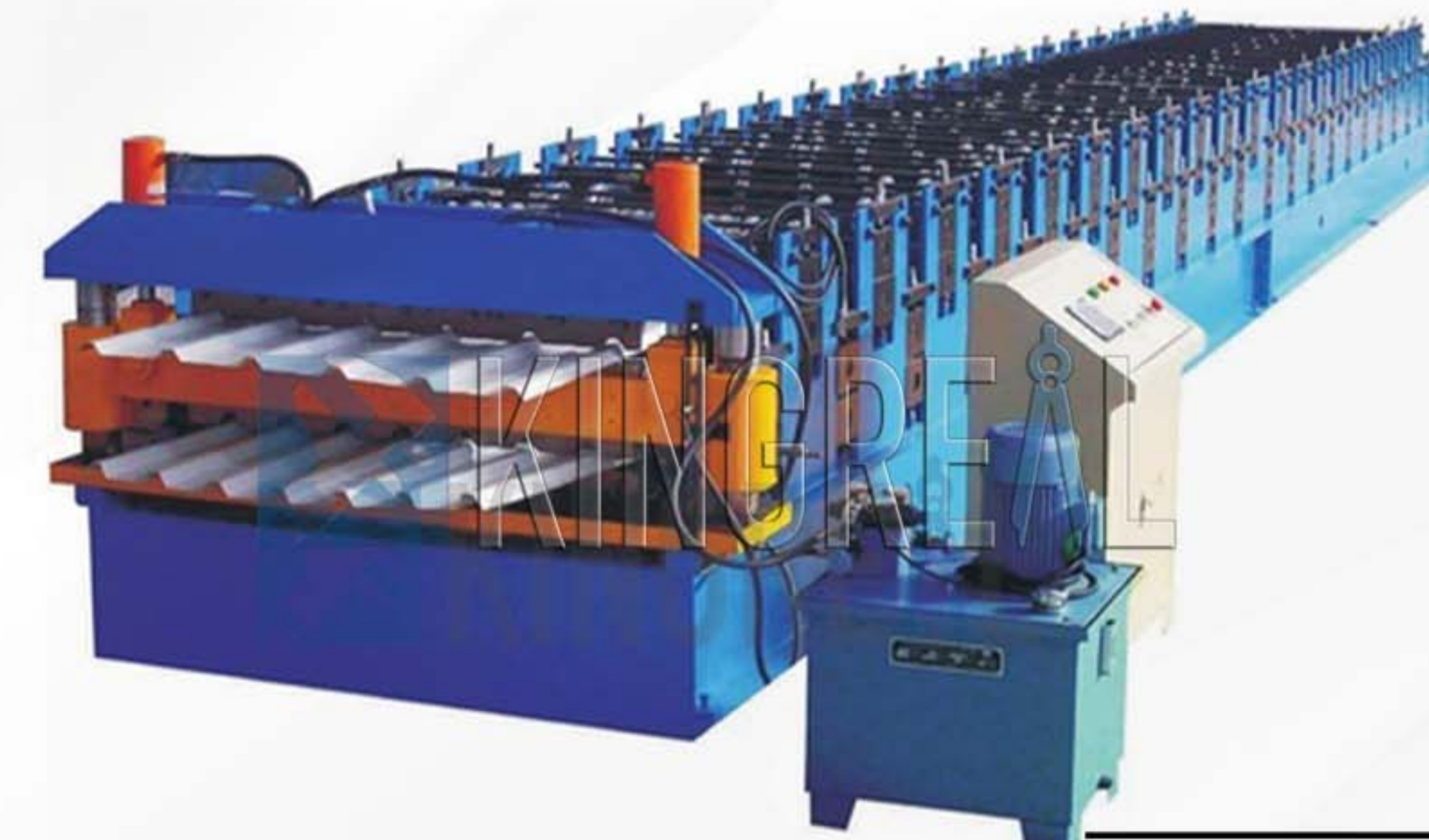
波形瓦成型机/ **CORRUGATED ROOF TILE ROLL FORMING MACHINE** ◀



琉璃瓦成型机/ **GLAZED ROOL TILE ROLL FORMING MACHINE** ◀



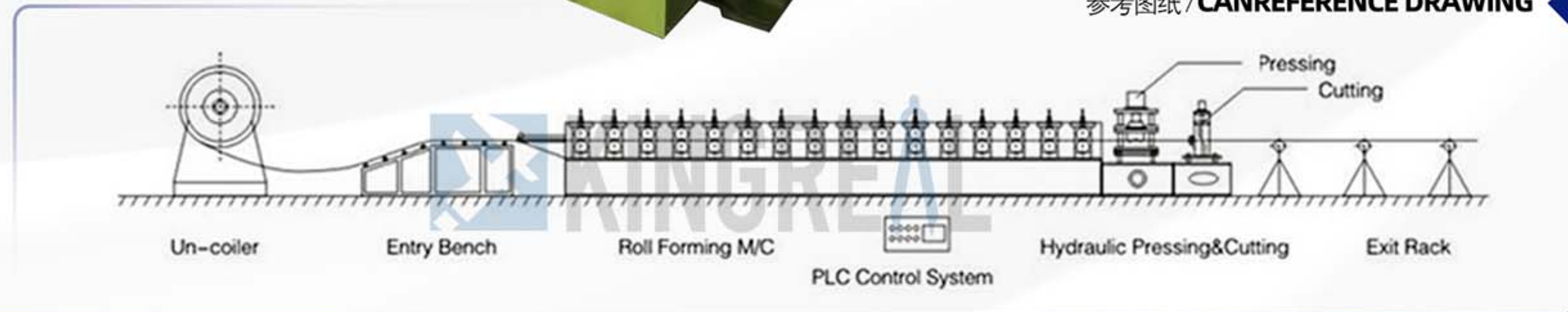
双层瓦成型机/ **DOUBLE LAYER ROOF TILE ROLL FORMING MACHINE** ◀



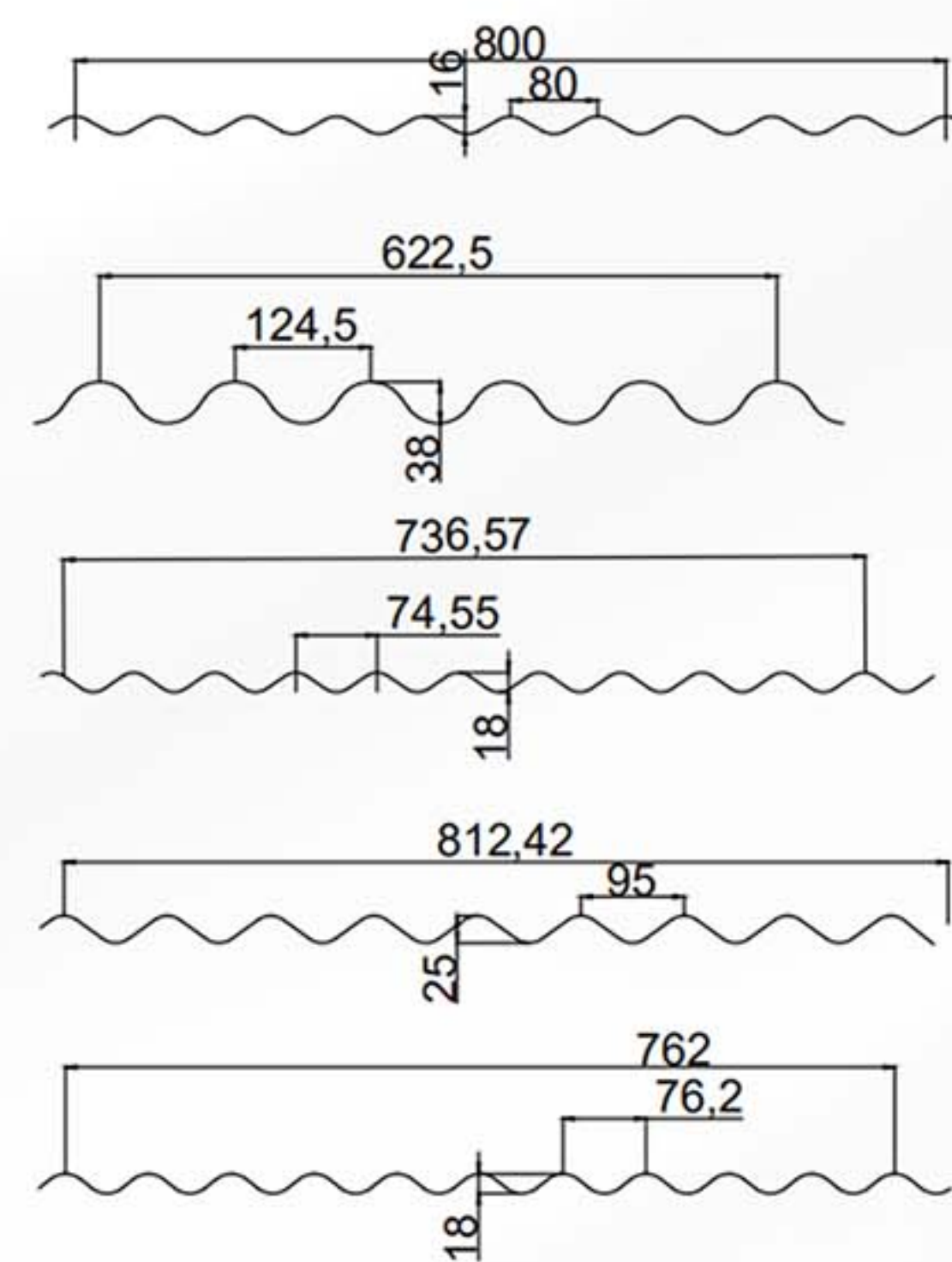
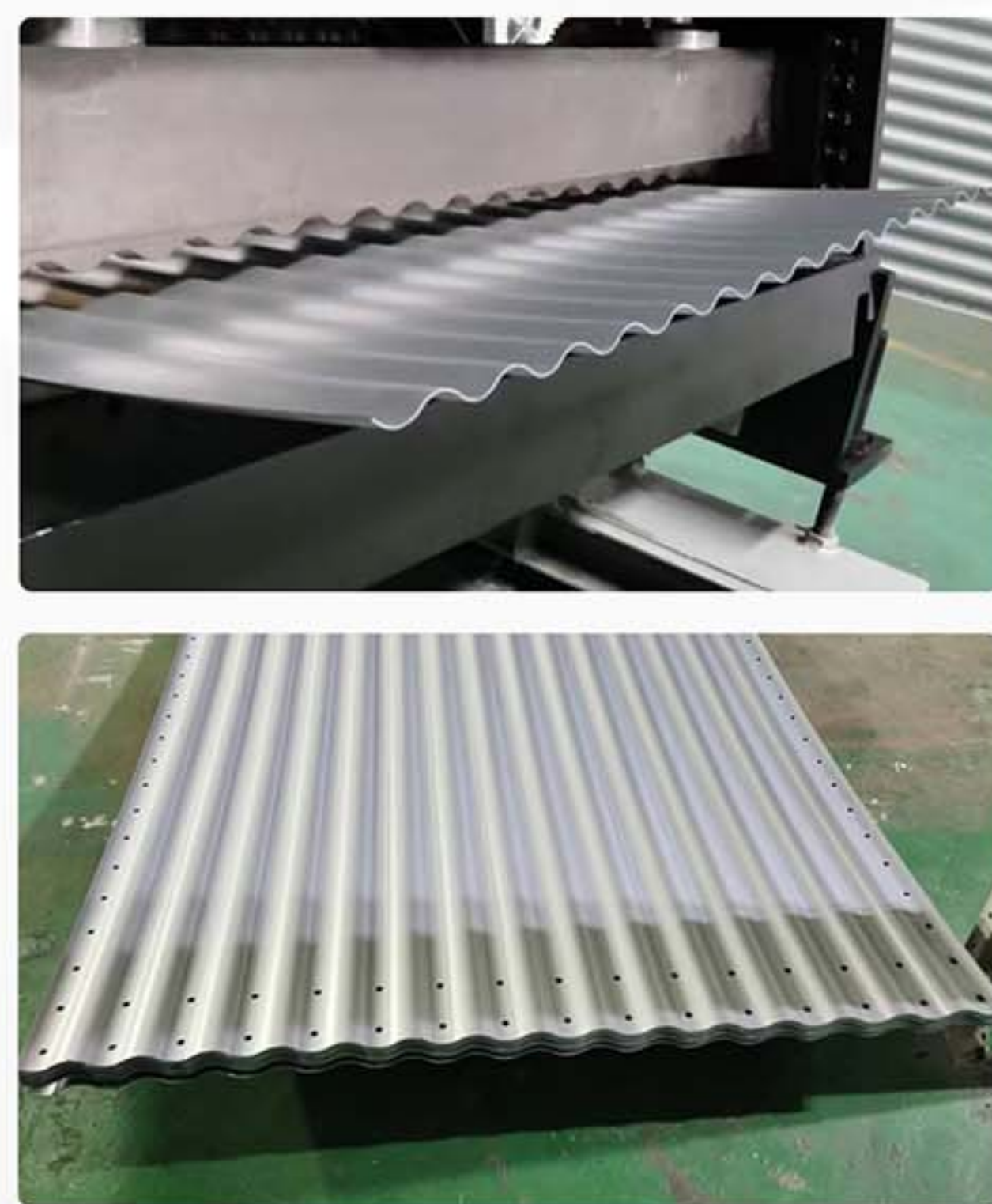
► **STEEL GRAIN SILO FORMING MACHINE / 谷仓成型机**



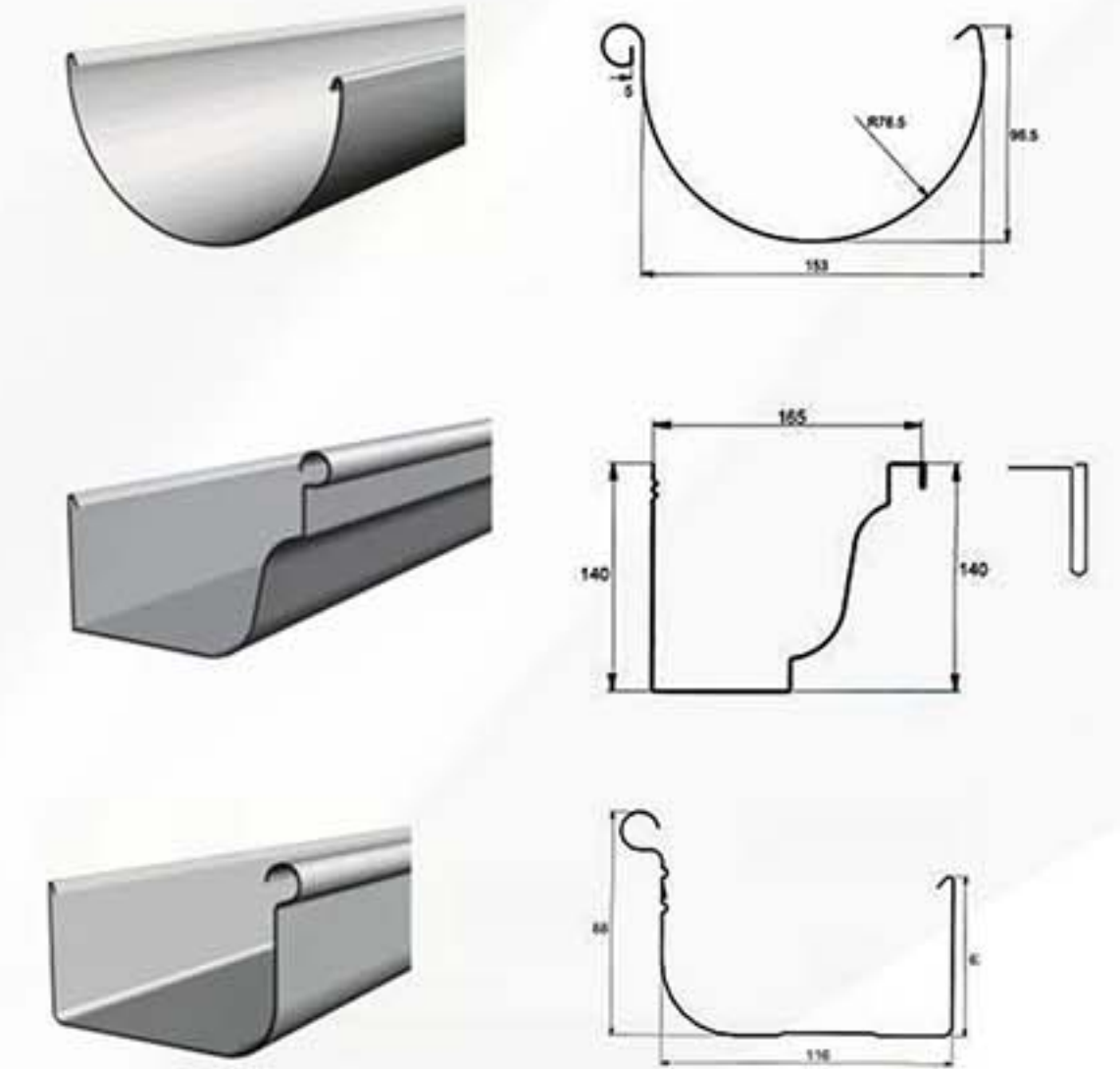
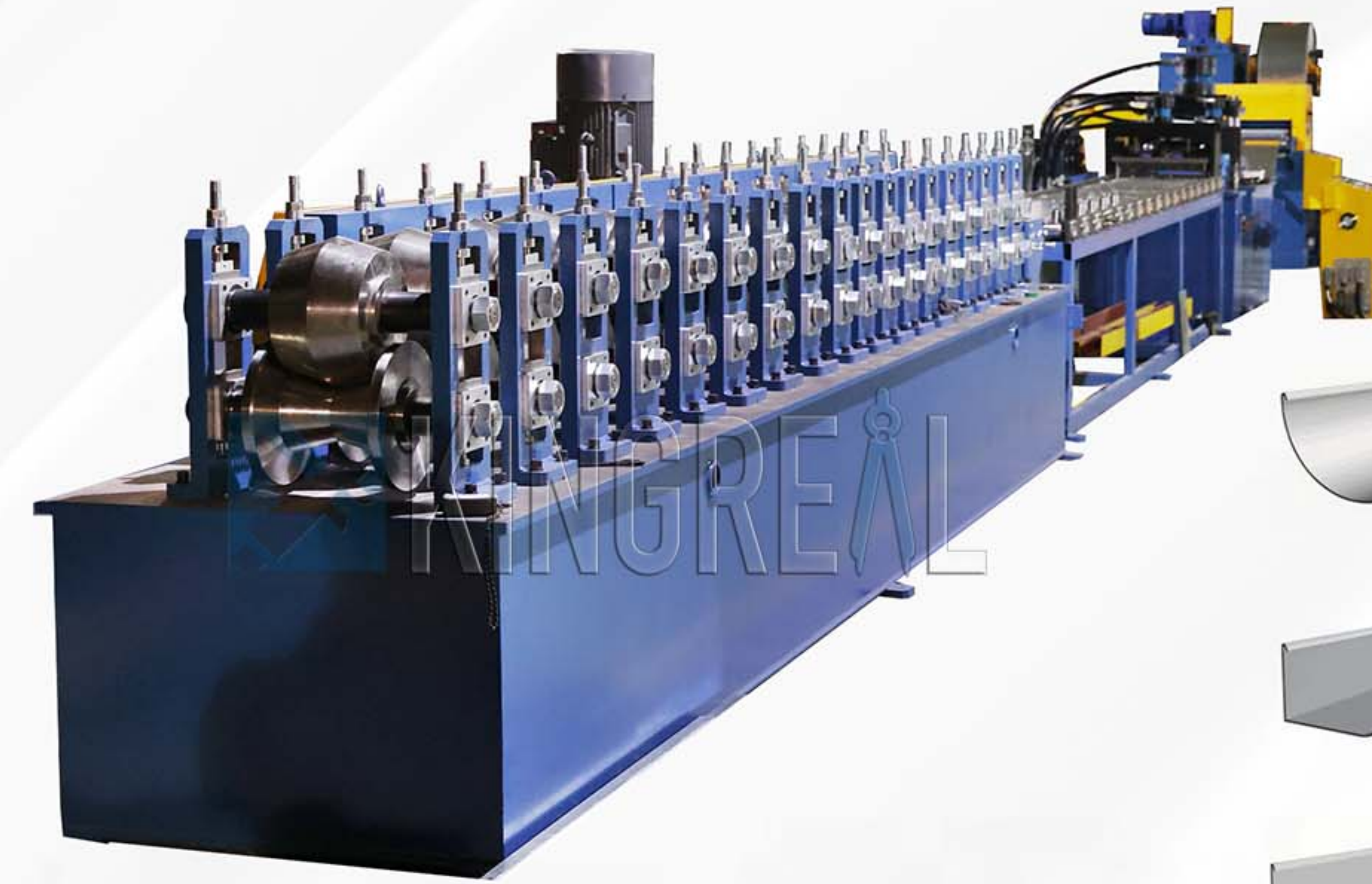
参考图纸 / CANREFERENCE DRAWING ◀



REFERENCE DRAWING



水槽成型机 / **GUTTER ROLL FORMING MACHINE** ◀



落水管成型机 / **DOWNPIPE ROLL FORMING MACHINE** ◀

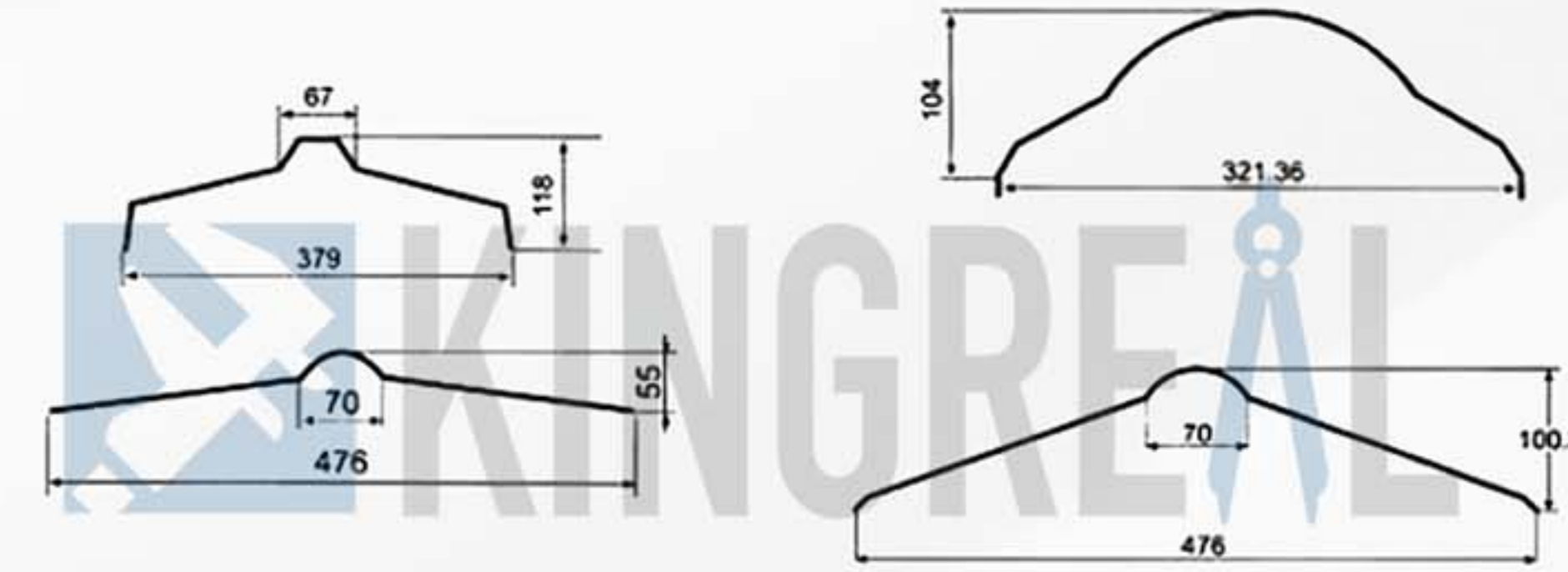
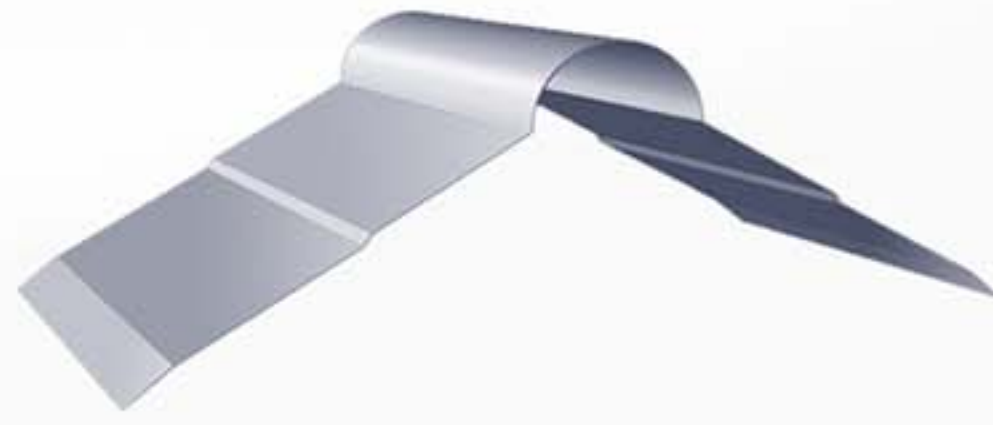


▶ **REFERENCE DRAWING OF OTHER METAL ROOF TILE / 其他瓦型图纸**

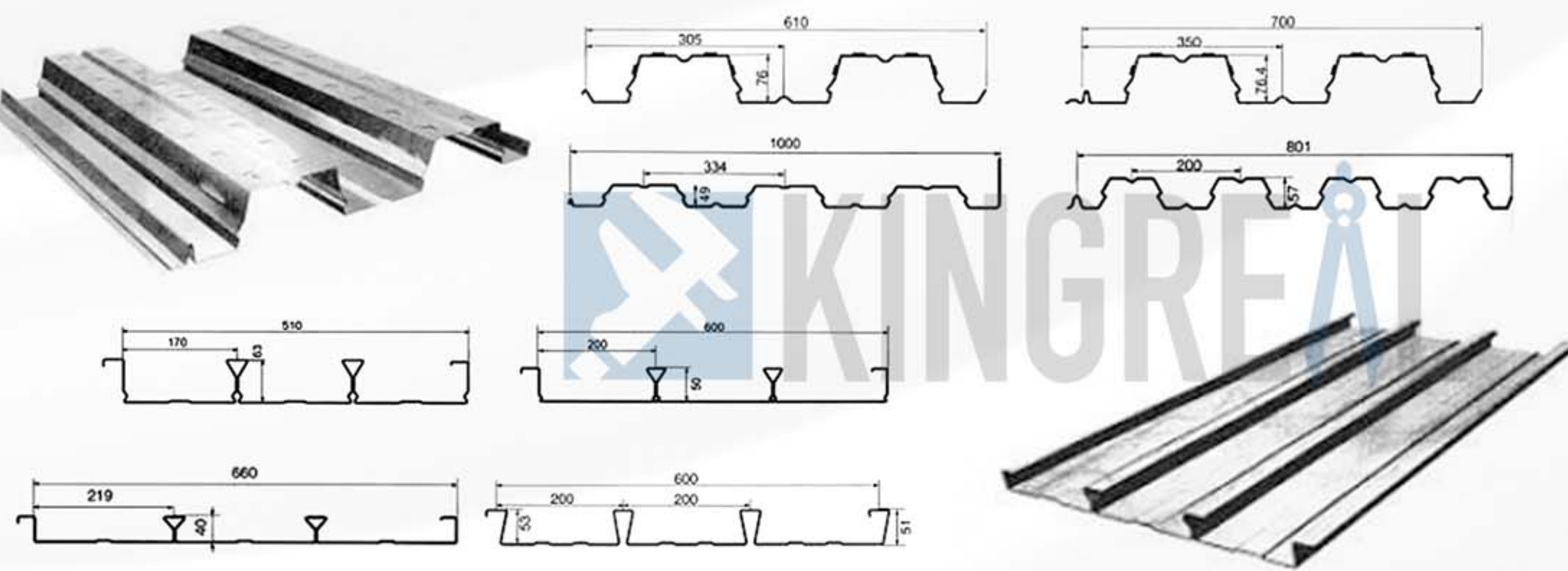
SINGLE PLATE TILE TYPE DIAGRAM



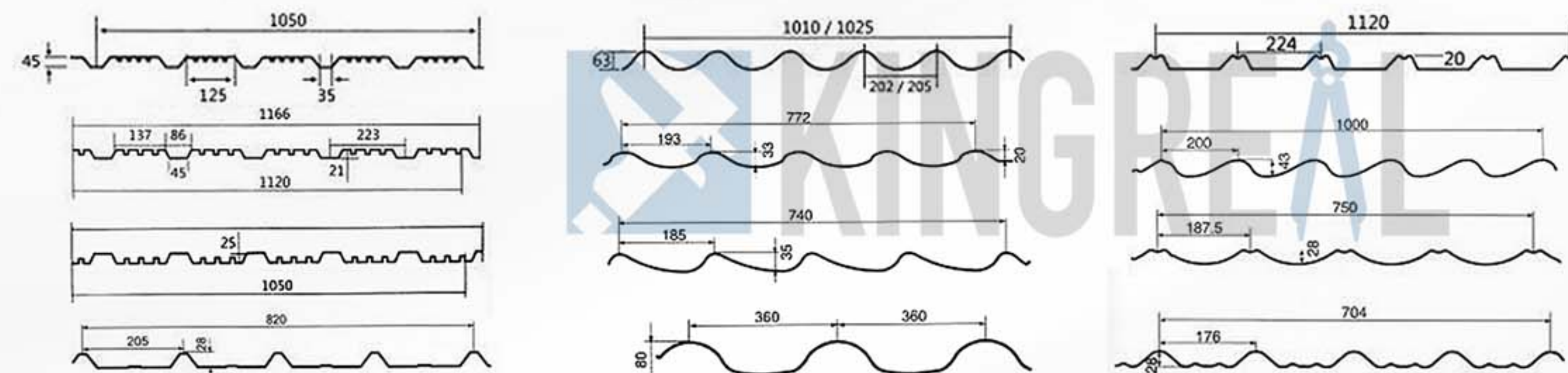
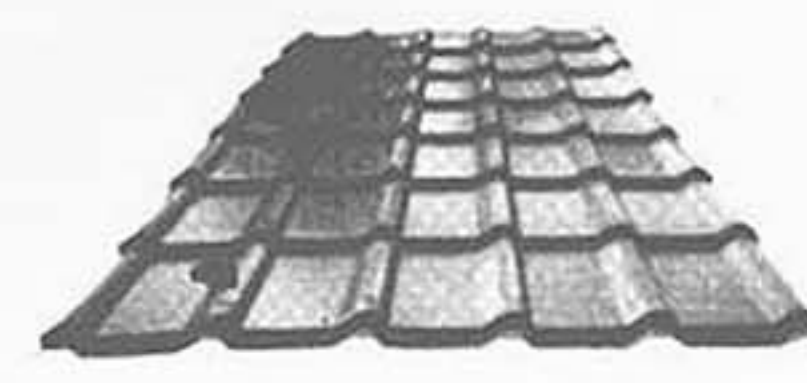
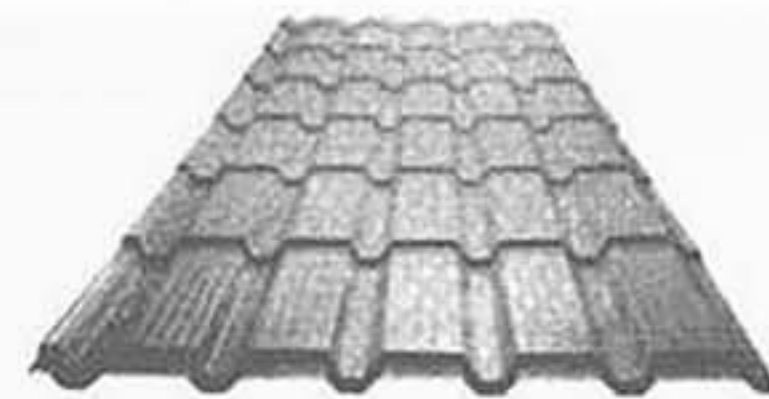
RIDGE CAP



FLOOR BEARING PLATE TYPE DRAWING



GLAZED ROOF TILE TYPE DRAWING



PRODUCT CATALOG ◀

风管系列 / AIR DUCT MACHINE

VCD FRAME ROLL FORMING MACHINE

风阀外框成型机



AIR DUCT PRODUCTION LINE

风管生产线



VCD FRAME BLADE ROLL FORMING MACHINE

风阀叶片成型机



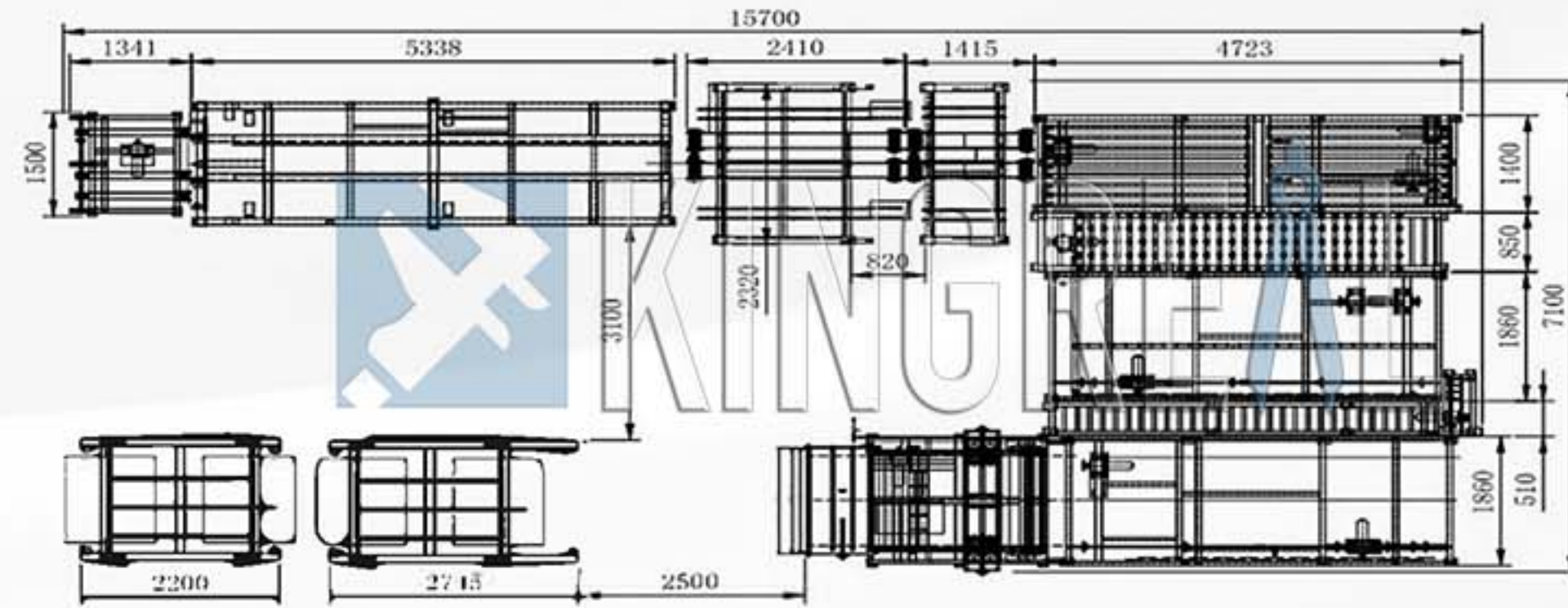
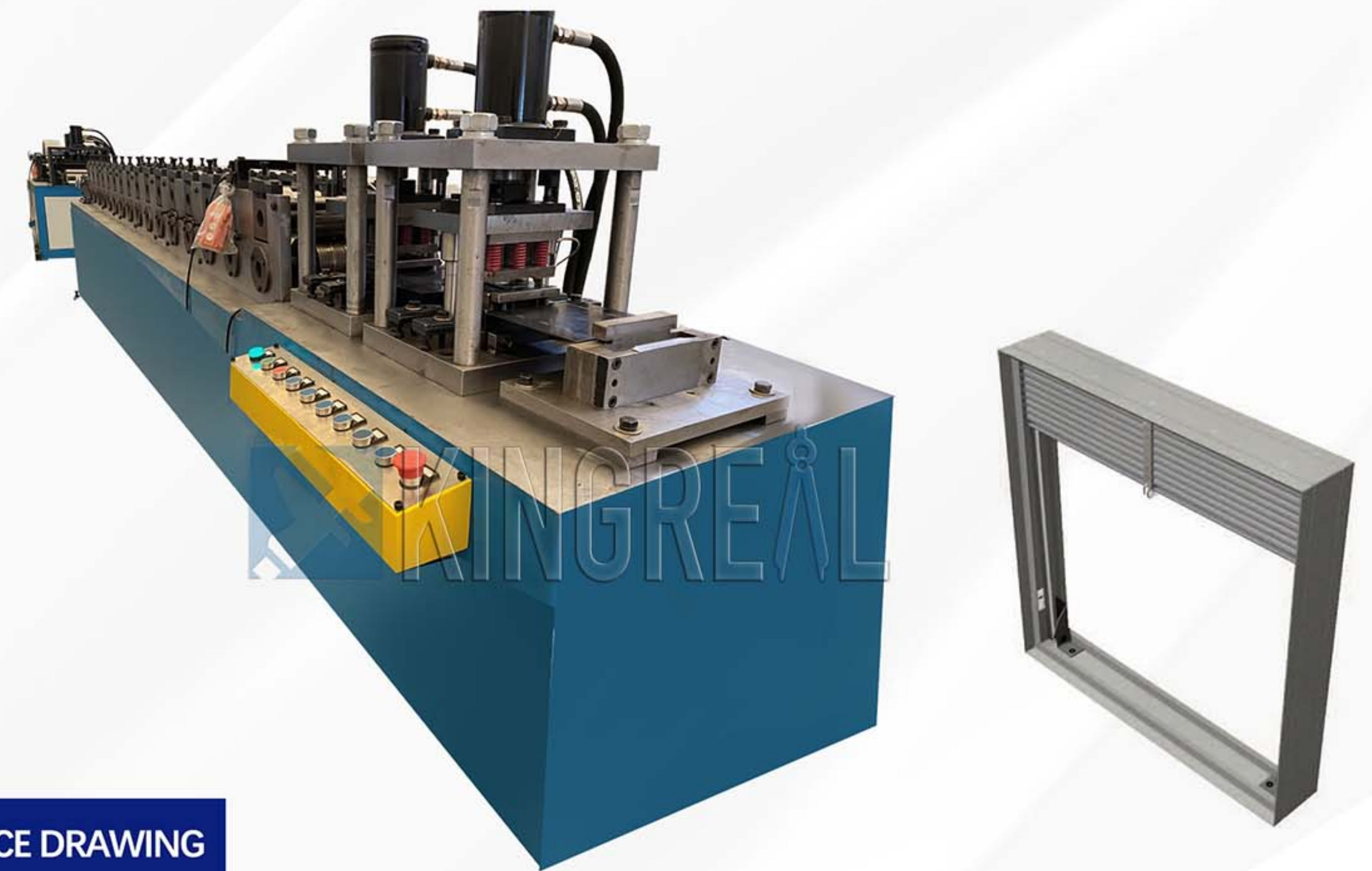
TDF FLANGE ROLL FORMING MACHINE

德式法兰成型机

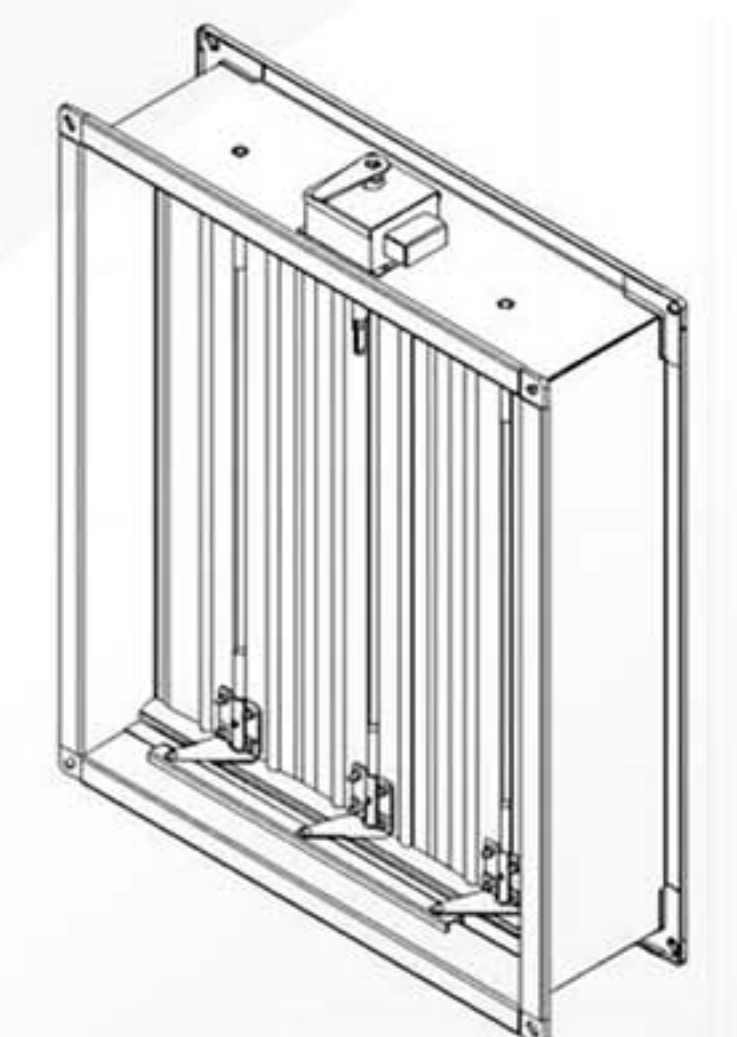
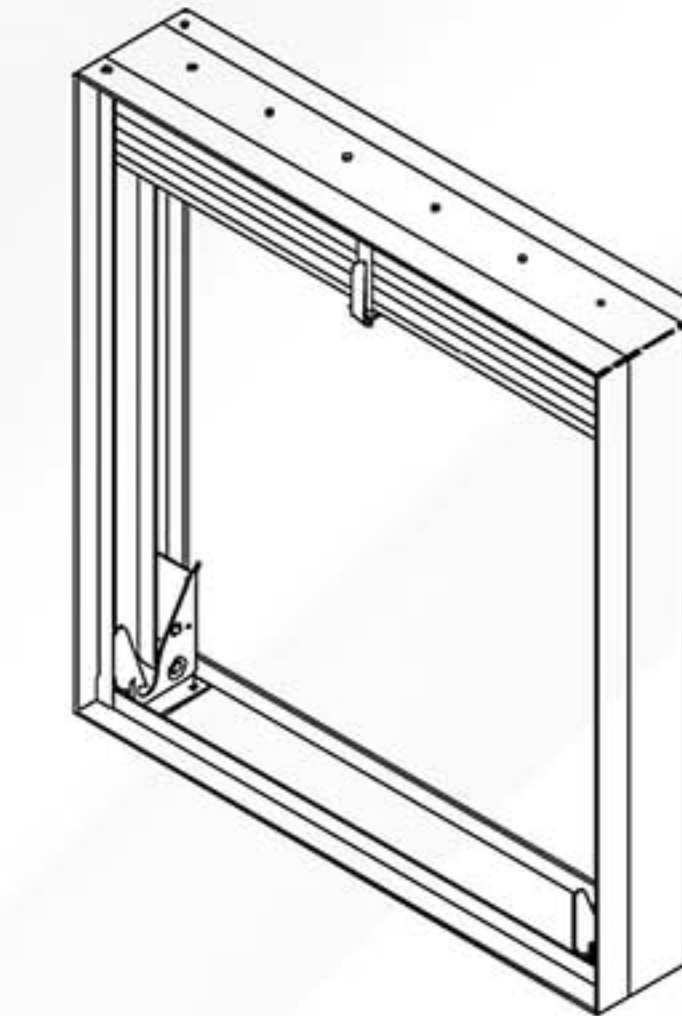
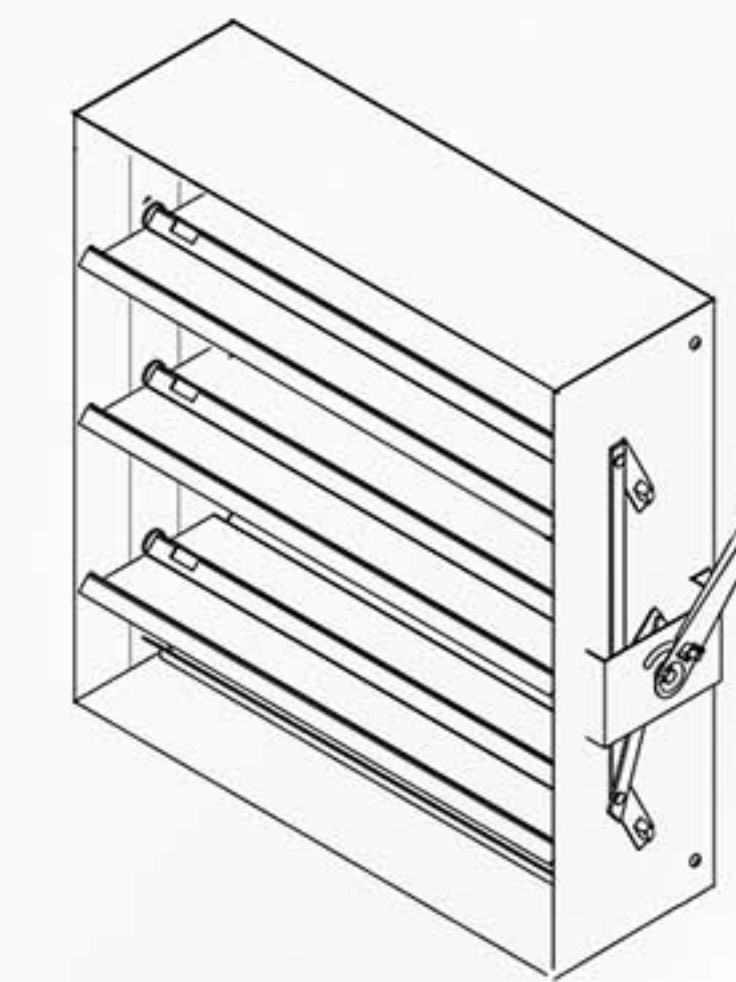


► AIR DUCT PRODUCTION LINE / 风管成型机

风阀外框成型机/ VCD FRAME ROLL FORMING MACHINE ◀



REFERENCE DRAWING



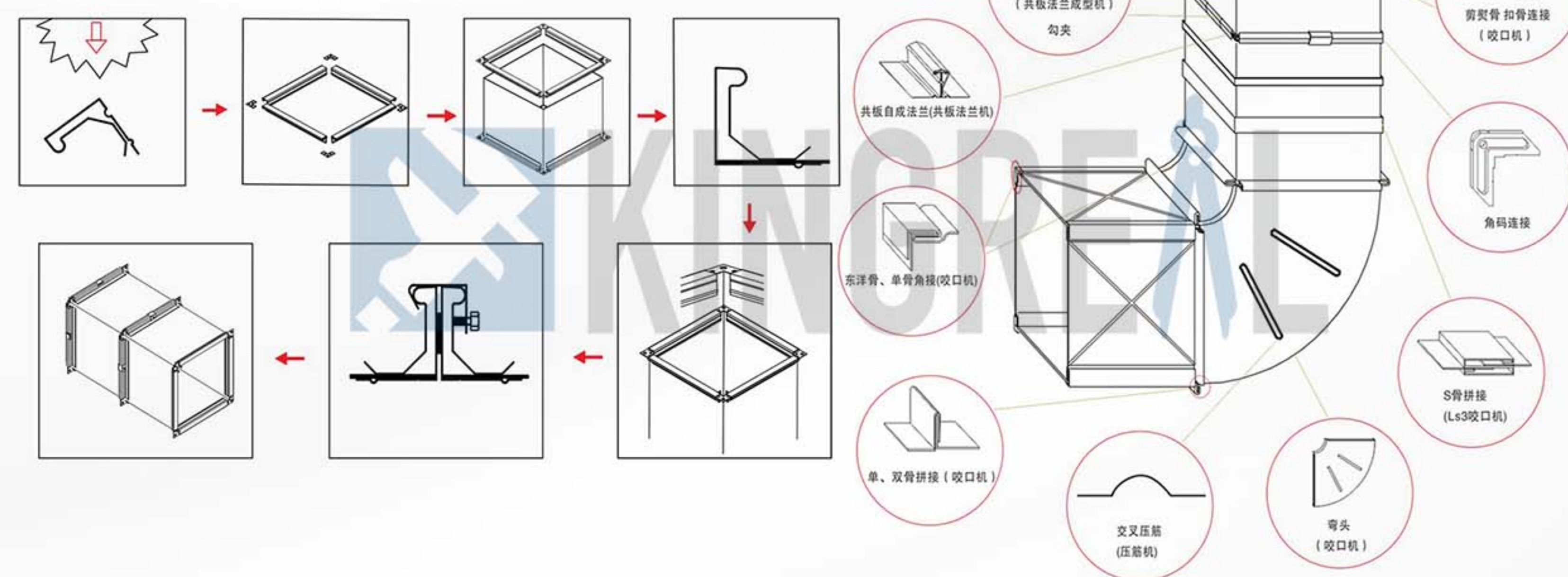
WITHOUT FLANGE

FLANGE INSIDE

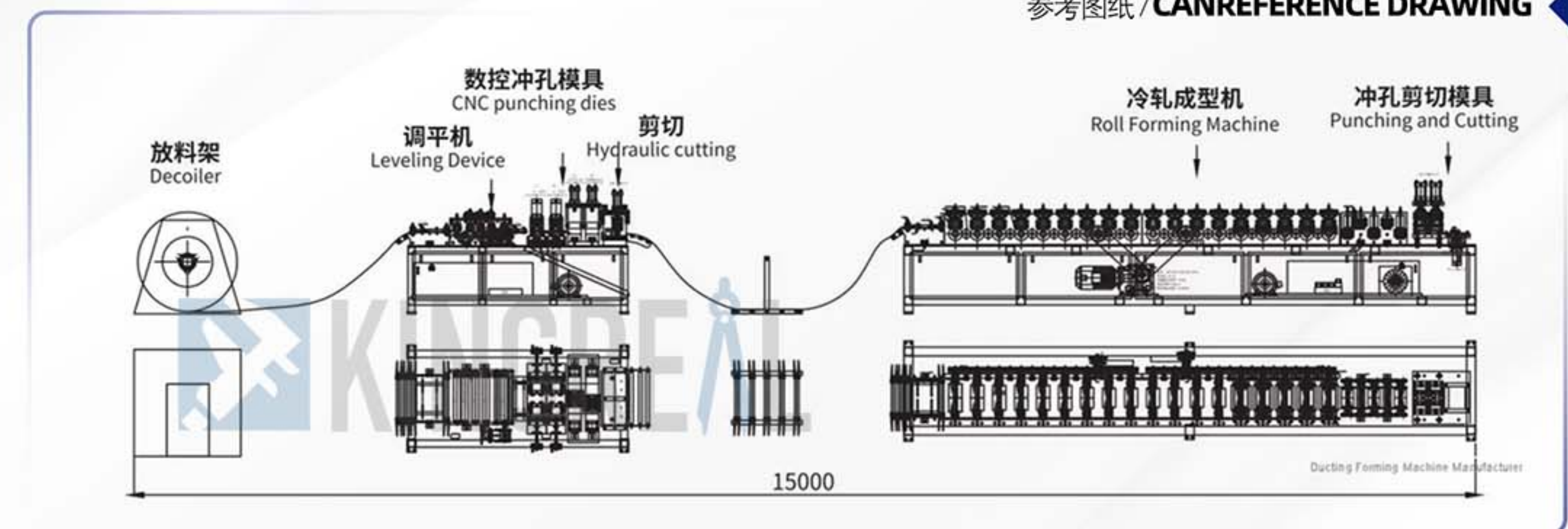
FLANGE OUTSIDE

AIR DUCT SYSTEM

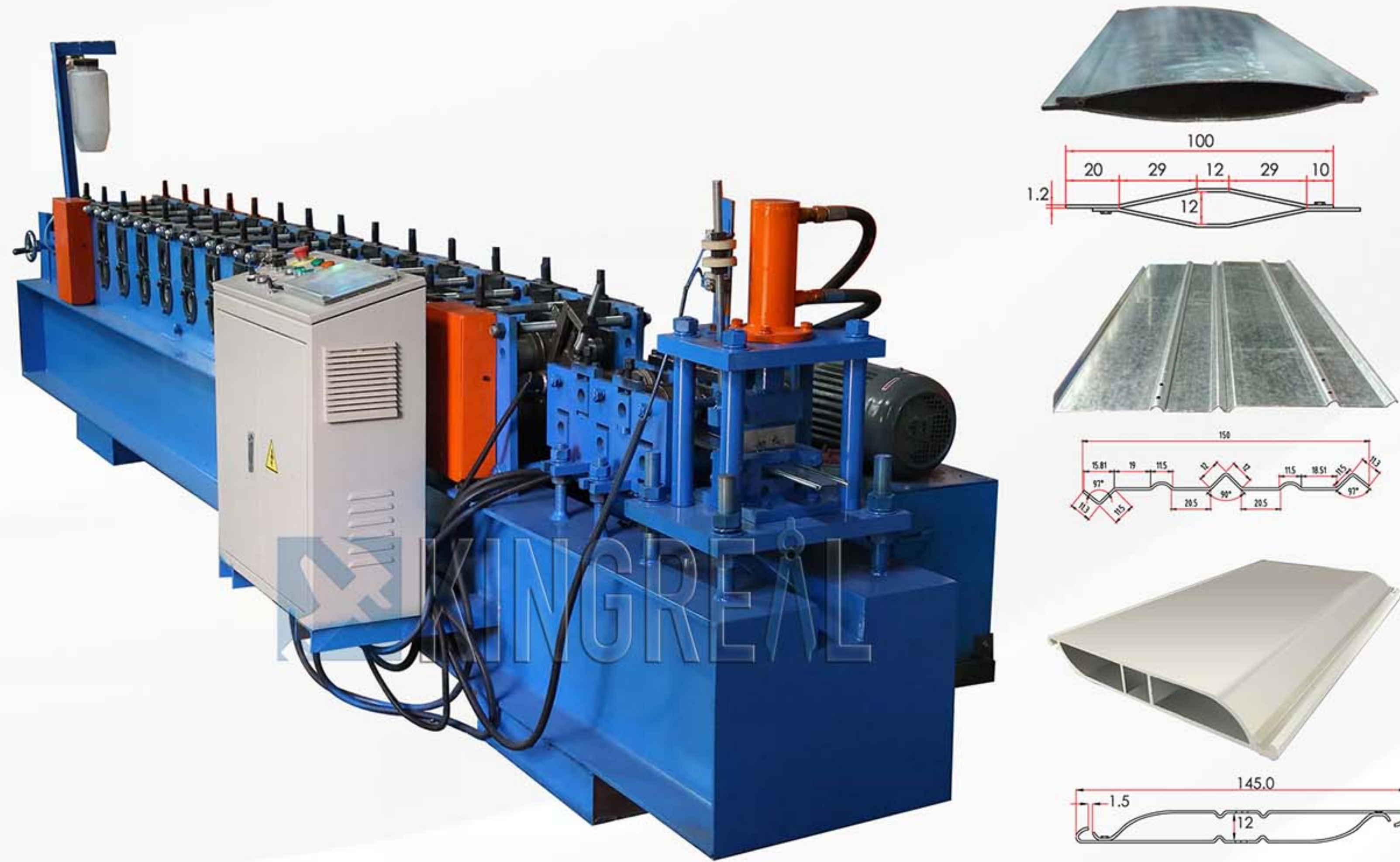
TDC FLANGE INSTALLATION DIAGRAM



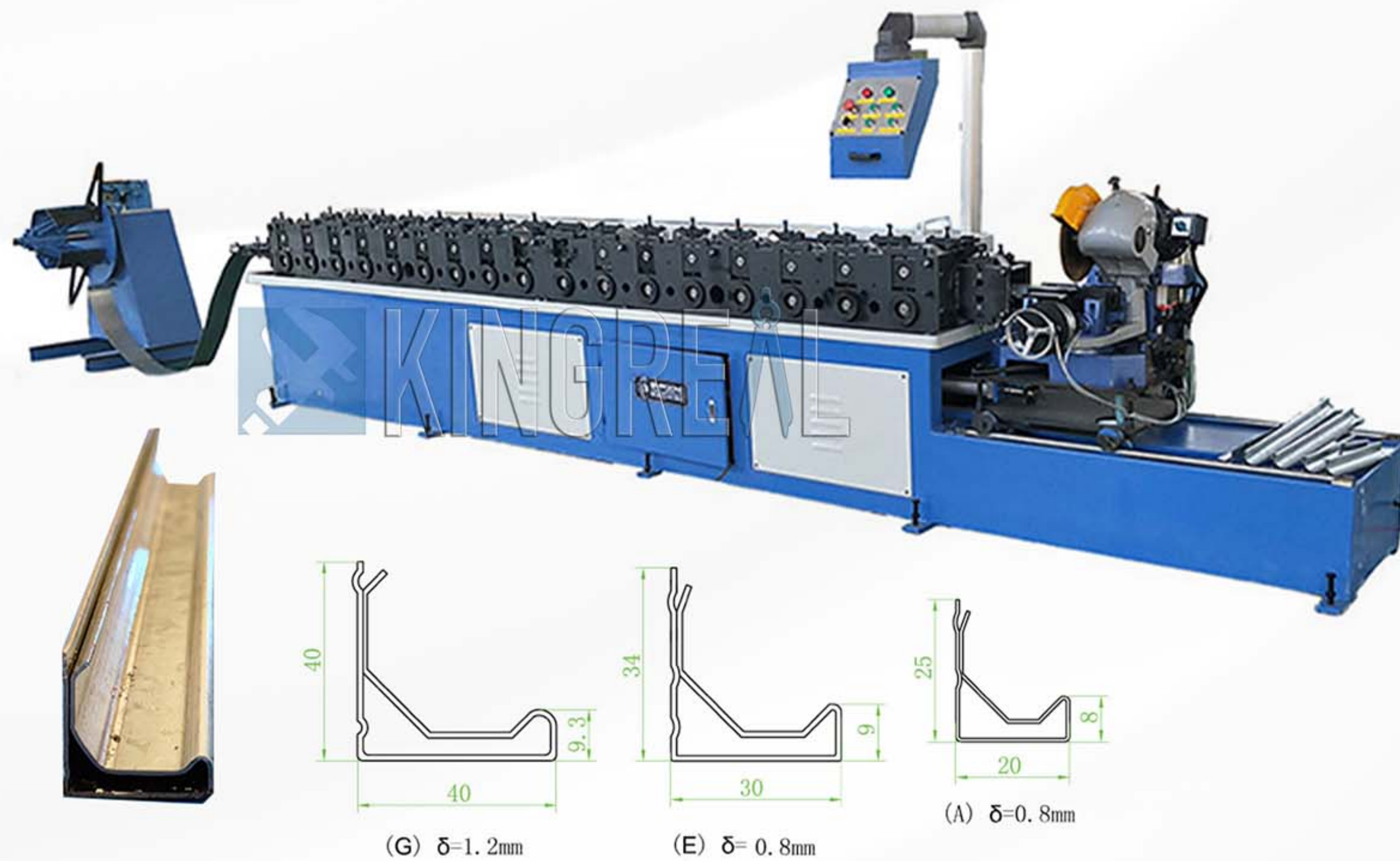
参考图纸 / CANREFERENCE DRAWING ◀



► **VCD FRAME BLADE ROLL FORMING MACHINE / 风阀叶片成型机**



► **TDF FLANGE ROLL FORMING MACHINE / 德式法兰成型机**



PRODUCT CATALOG ◀

定制化成型机 / CUSTOMIZATION MACHINE

CABLE TRAY ROLL FORMING MACHINE

电缆桥架成型机



STRUT CHANNEL ROLL FORMING MACHINE

光伏支架成型机



HIGHWAY GUARDRAIL ROLL FORMING MACHINE

高速公路护栏成型机



SOUND BARRIER ROLL FORMING MACHINE

高速公路吸音板成型机



SCAFFOLDING WALK BOARD ROLL FORMING MACHINE

脚手架成型机



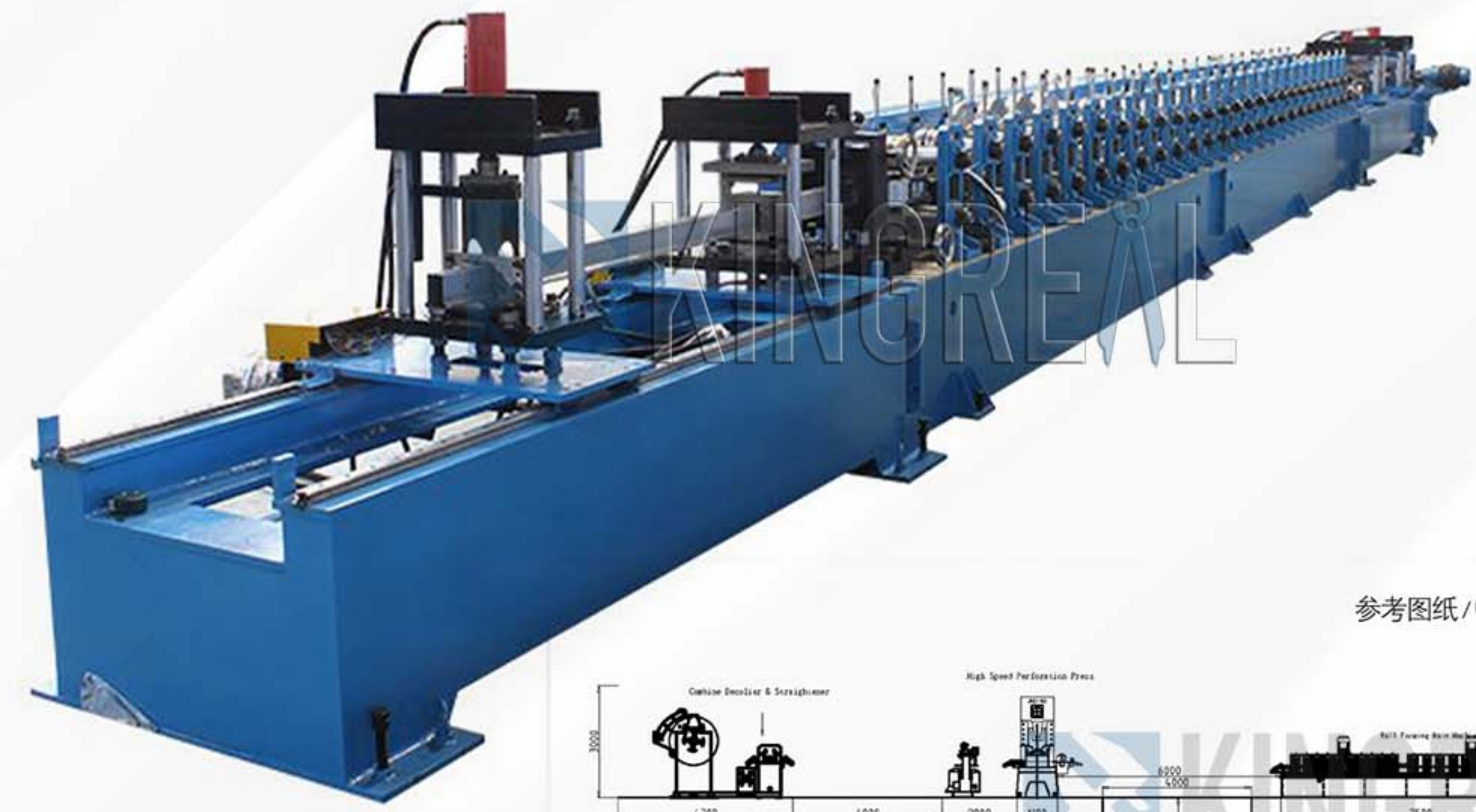
ROLLING SHUTTER DOOR ROLL FORMING MACHINE

卷闸门成型机



► **CABLE TRAY ROLL FORMING MACHINE / 电缆桥架成型机**

抗震&光伏支架成型机/ **UNISTRUT CHANNEL ROLL FORMING MACHINE** ◀



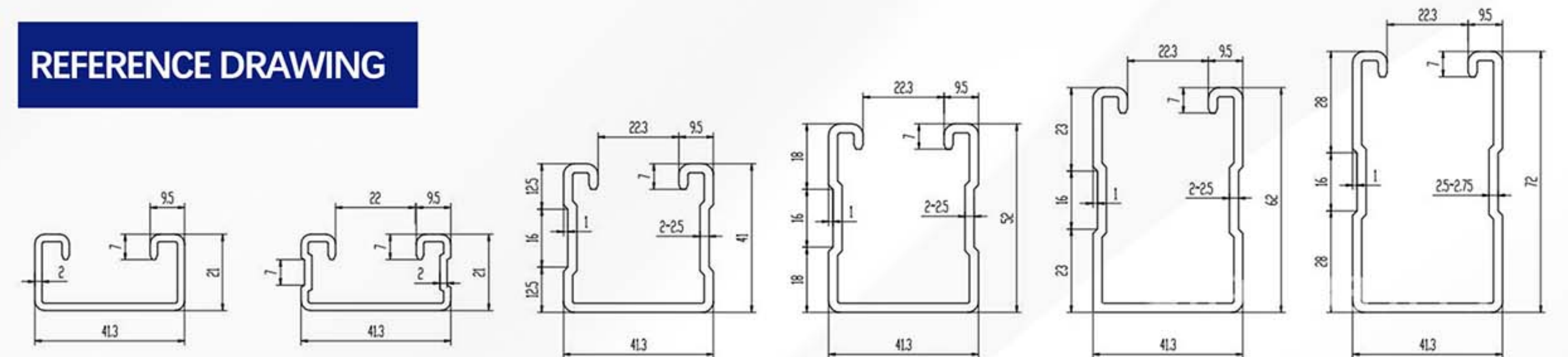
参考图纸 / **CANREFERENCE DRAWING** ◀



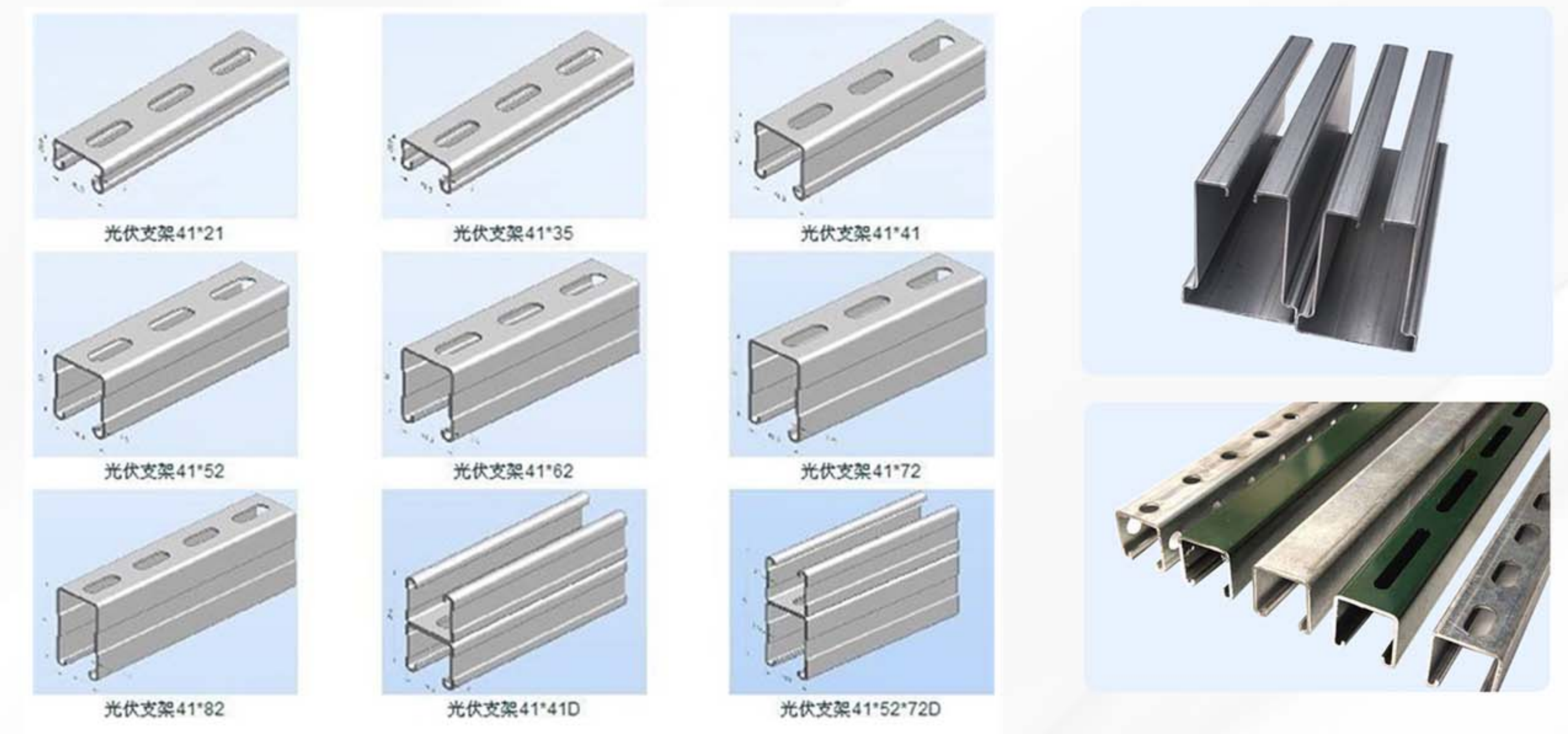
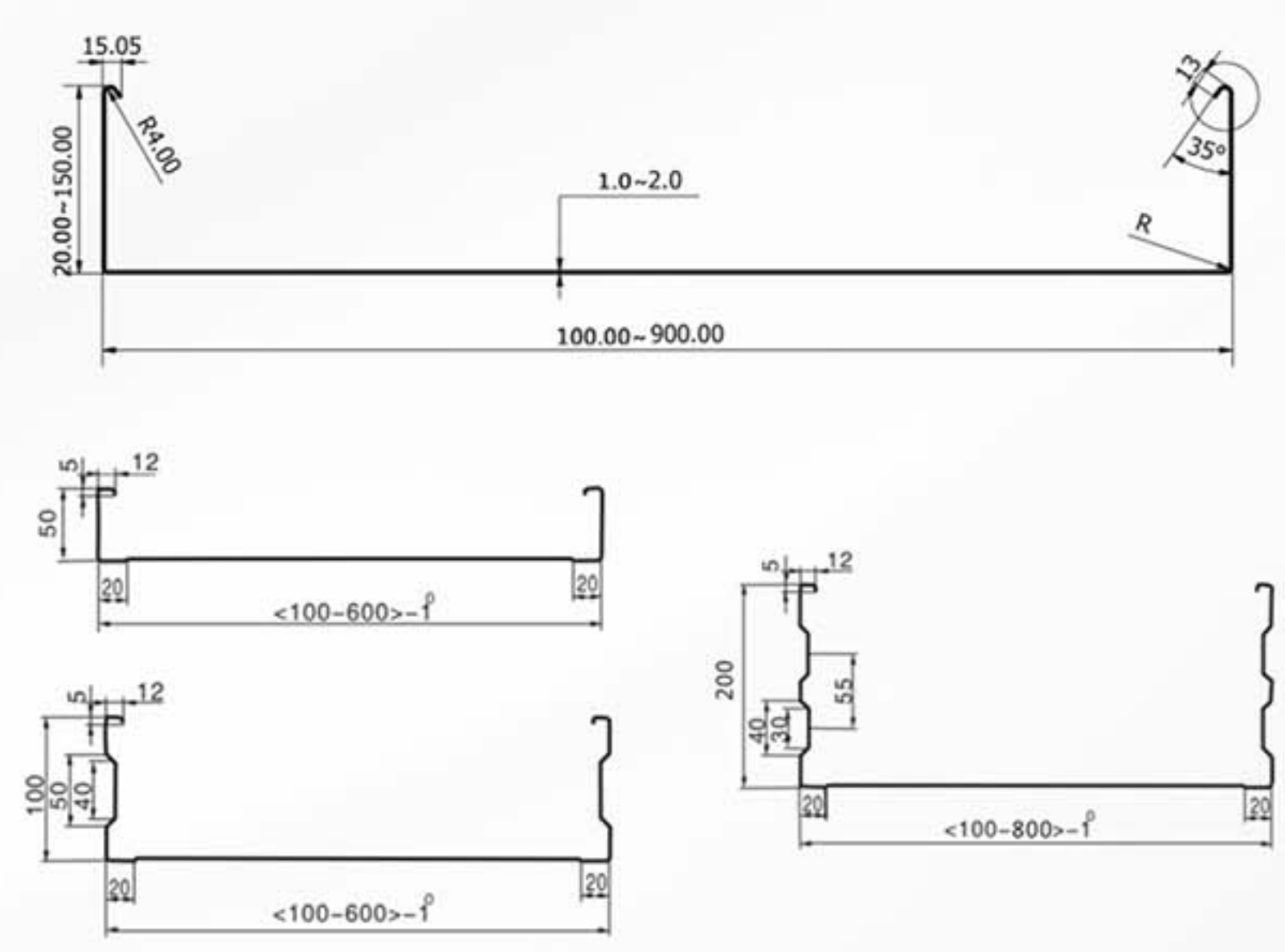
参考图纸 / **CANREFERENCE DRAWING** ◀



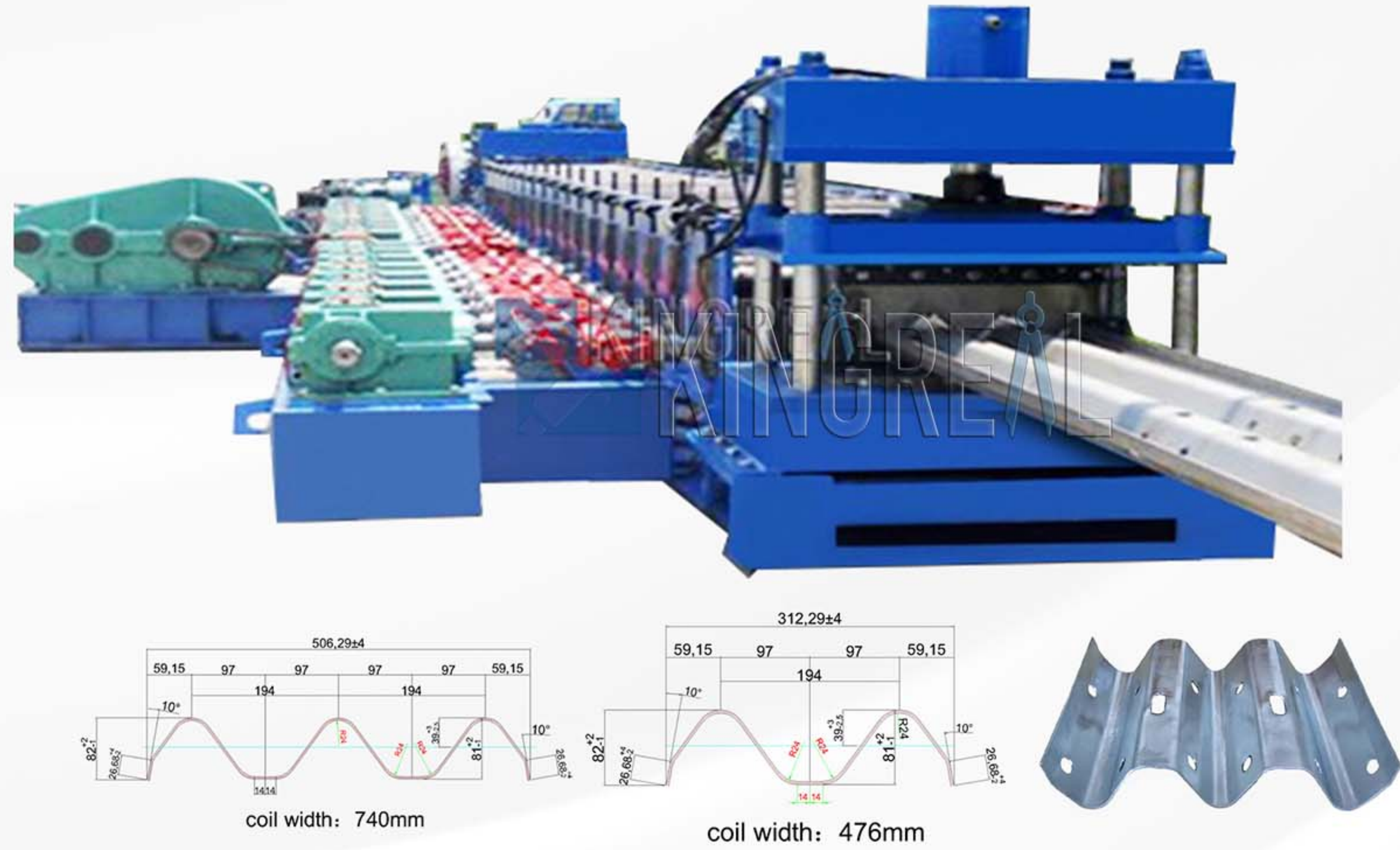
REFERENCE DRAWING



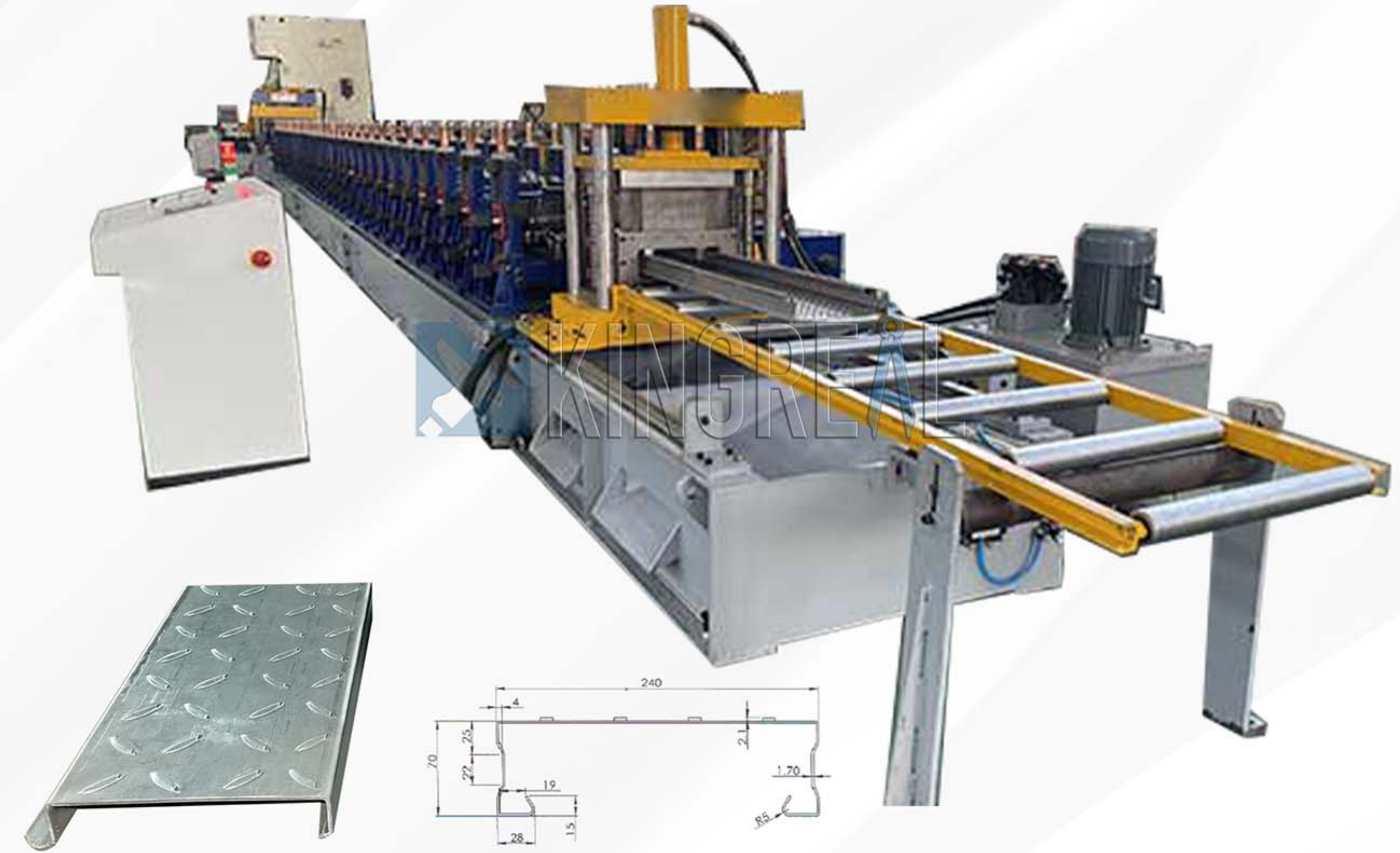
REFERENCE DRAWING



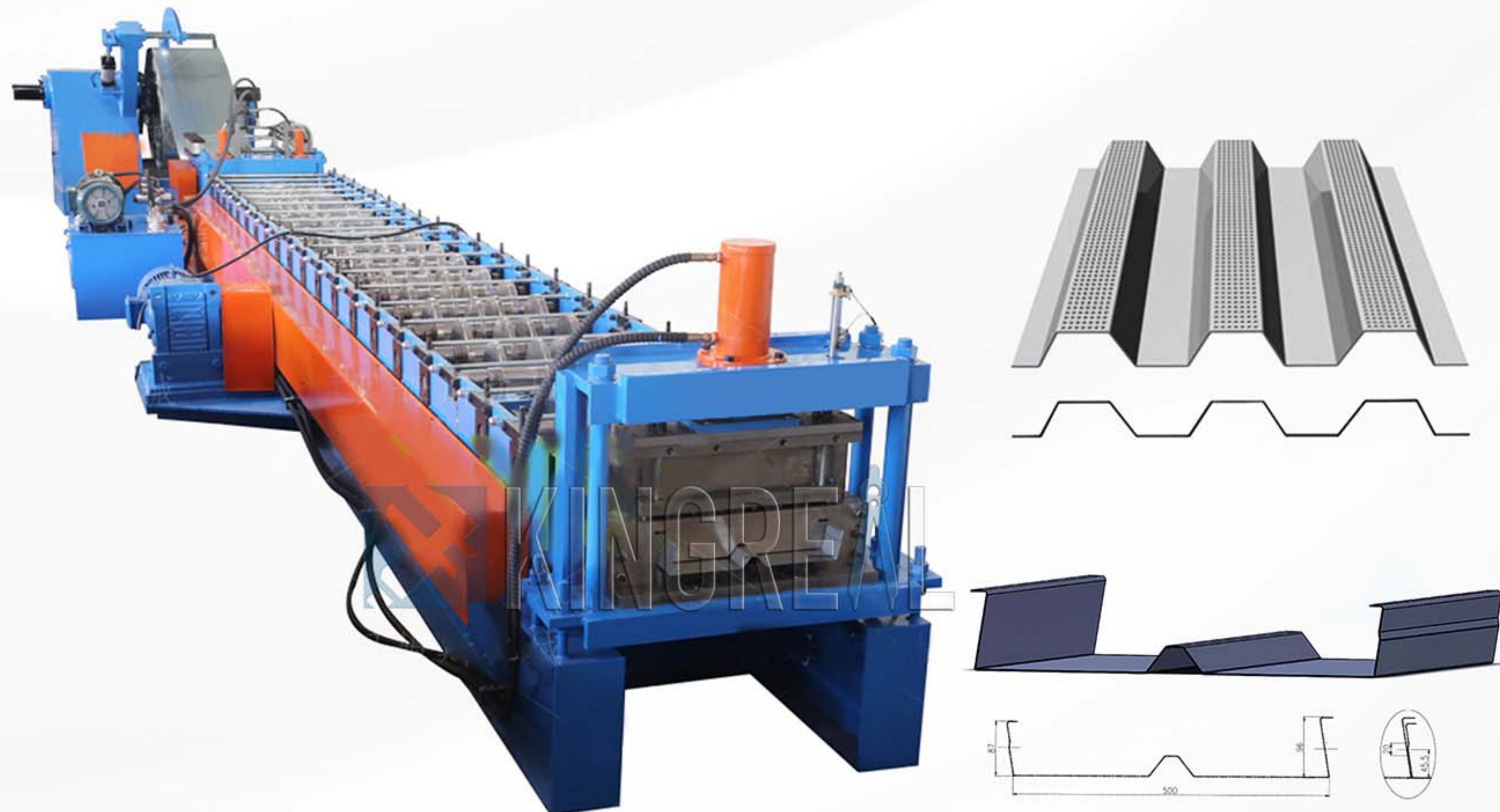
► **HIGHWAY GUARDRAIL ROLL FORMING MACHINE** / 高速公路护栏成型机



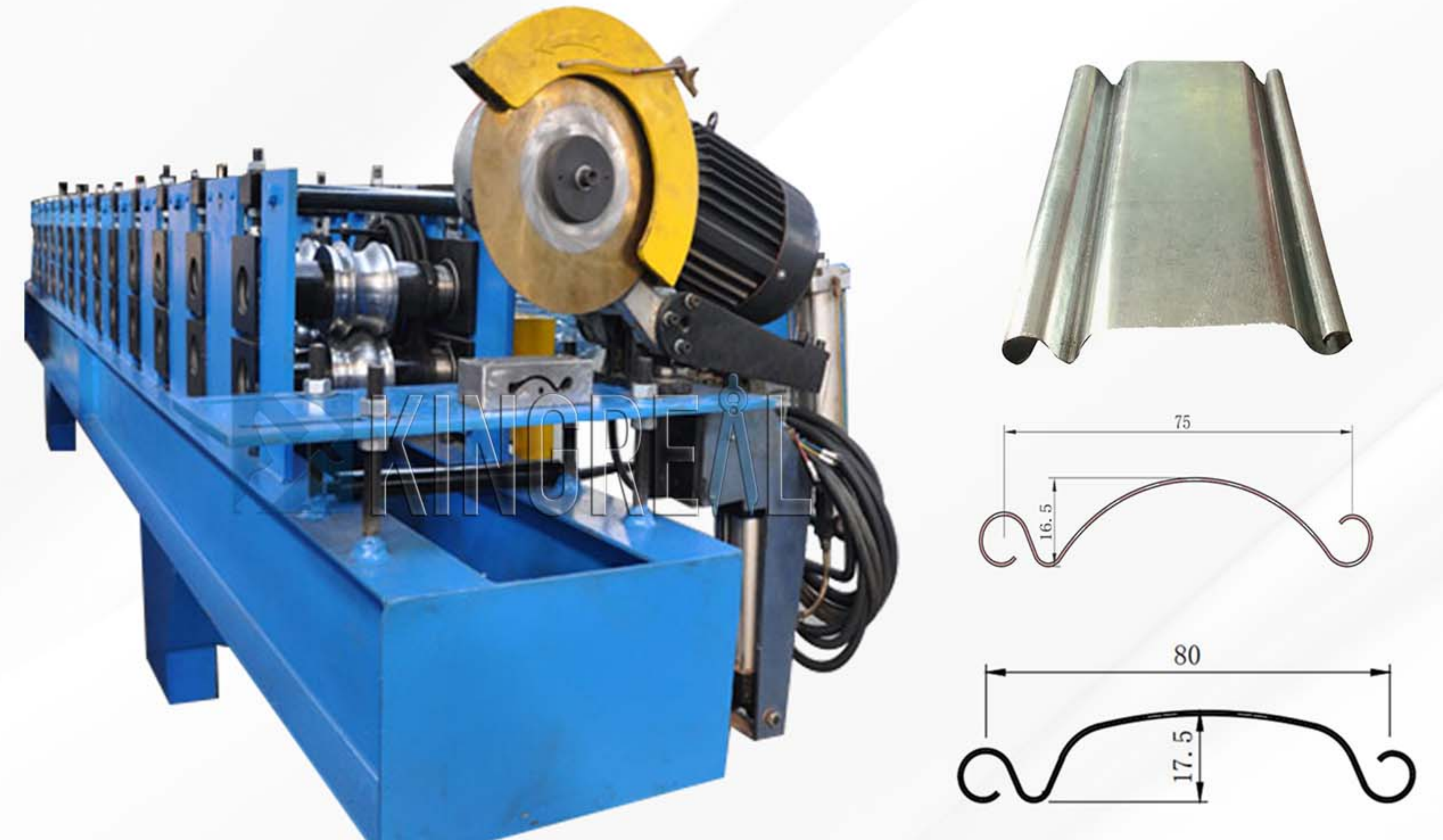
脚手架成型机/ **SCAFFOLDING WALK BOARD ROLL FORMING MACHINE** ◀



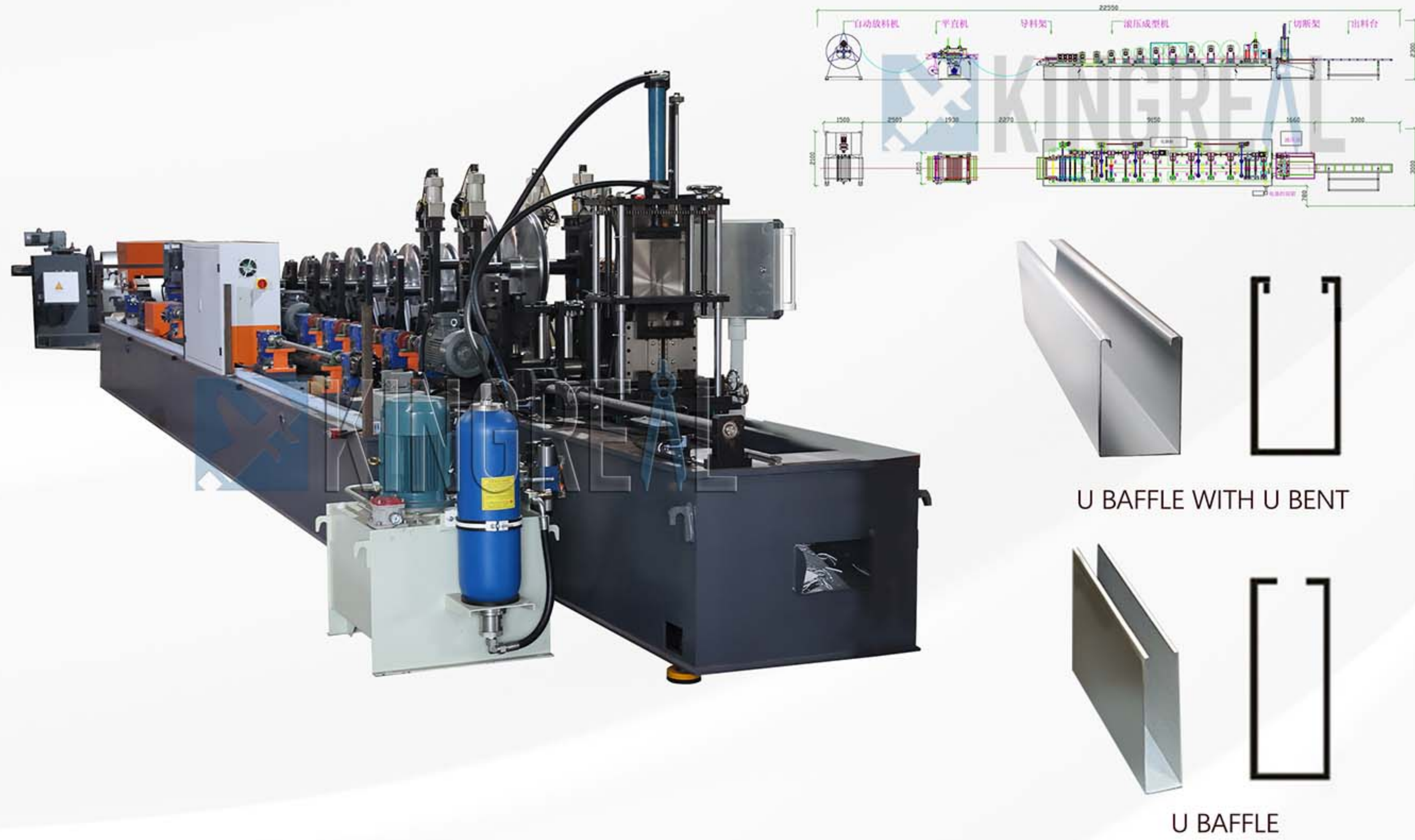
► **SOUND BARRIER ROLL FORMING MACHINE** / 高速公路吸音板成型机



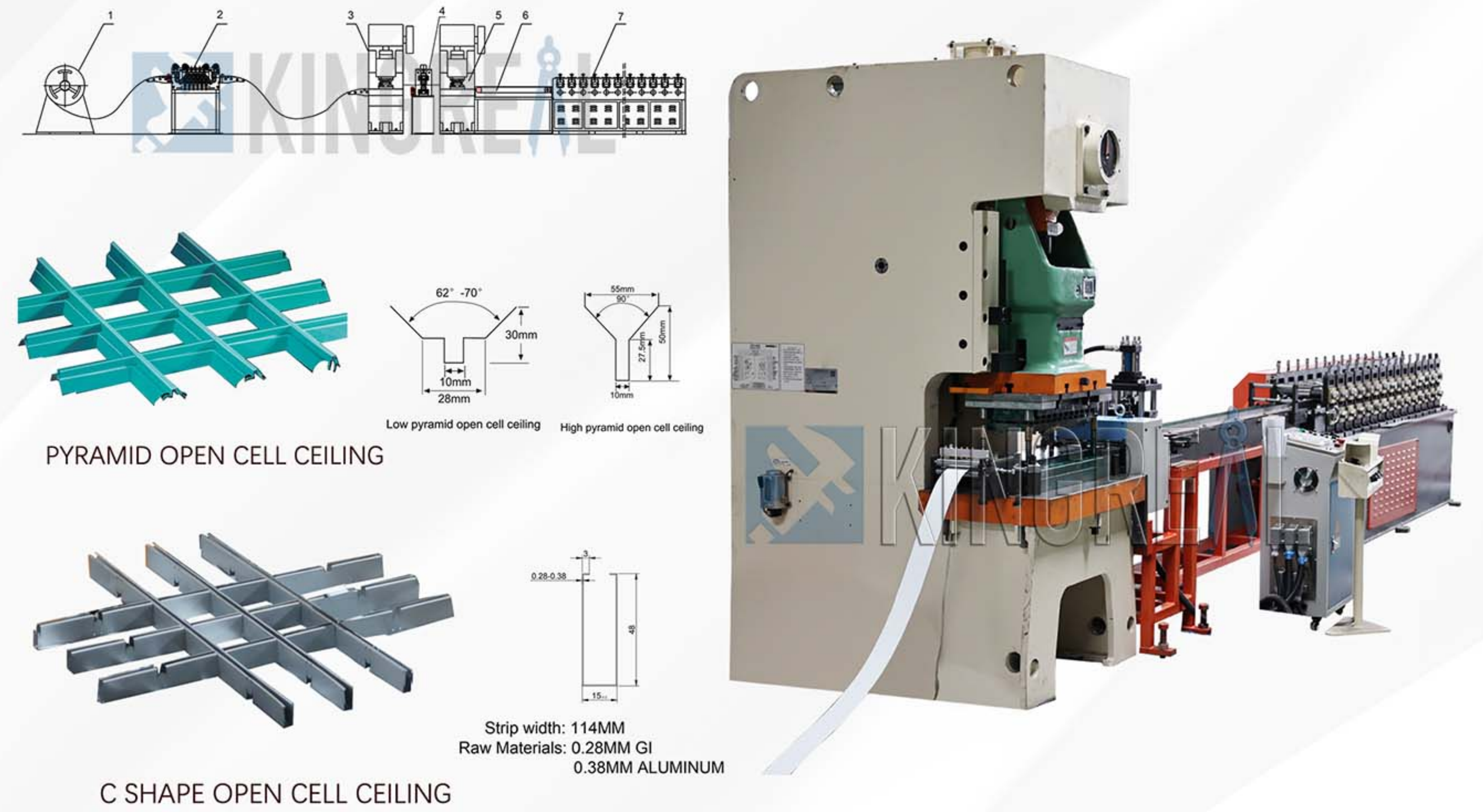
卷闸门成型机/ **ROLLING SHUTTER DOOR ROLL FORMING MACHINE** ◀



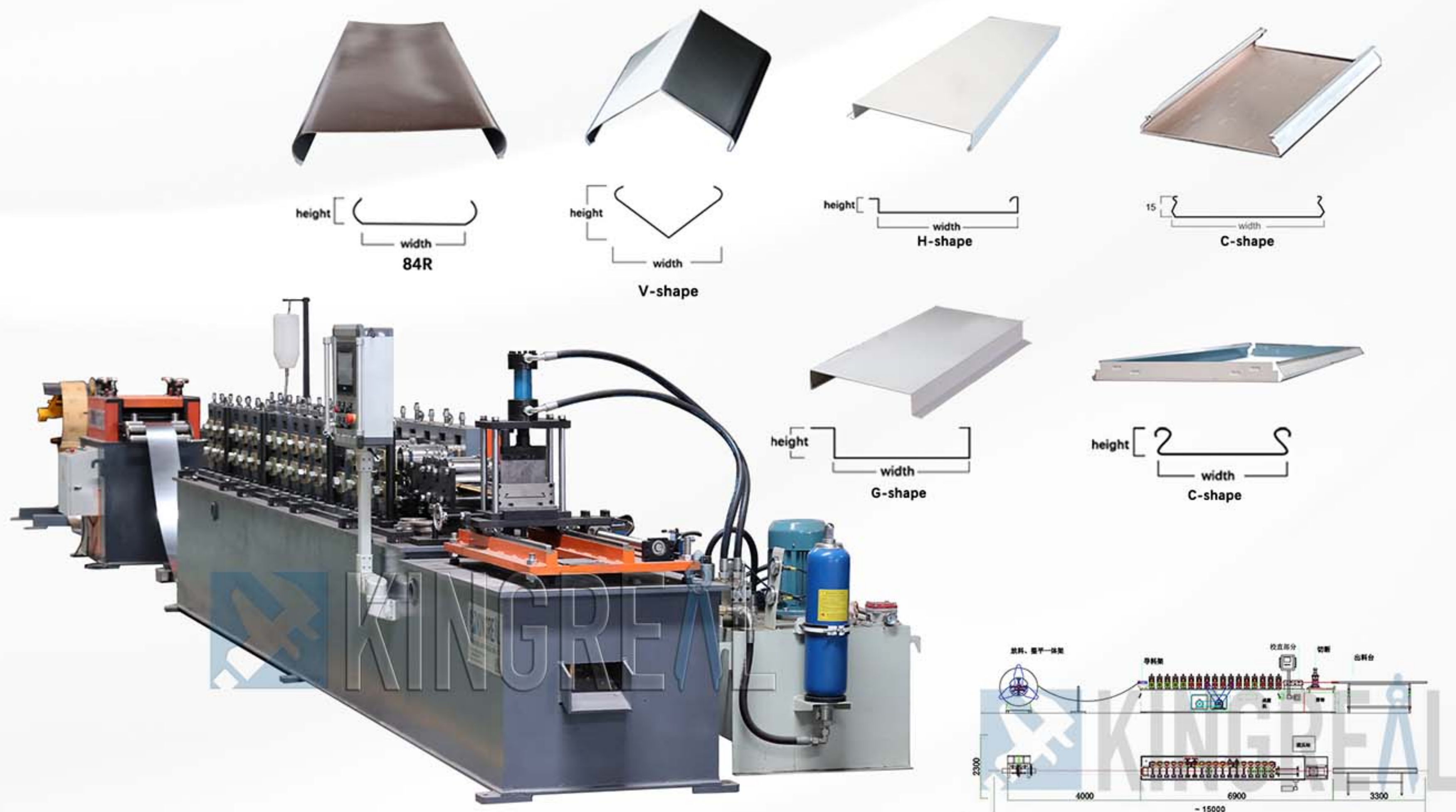
► U BAFFLE CEILING ROLL FORMING MACHINE / 方通成型机



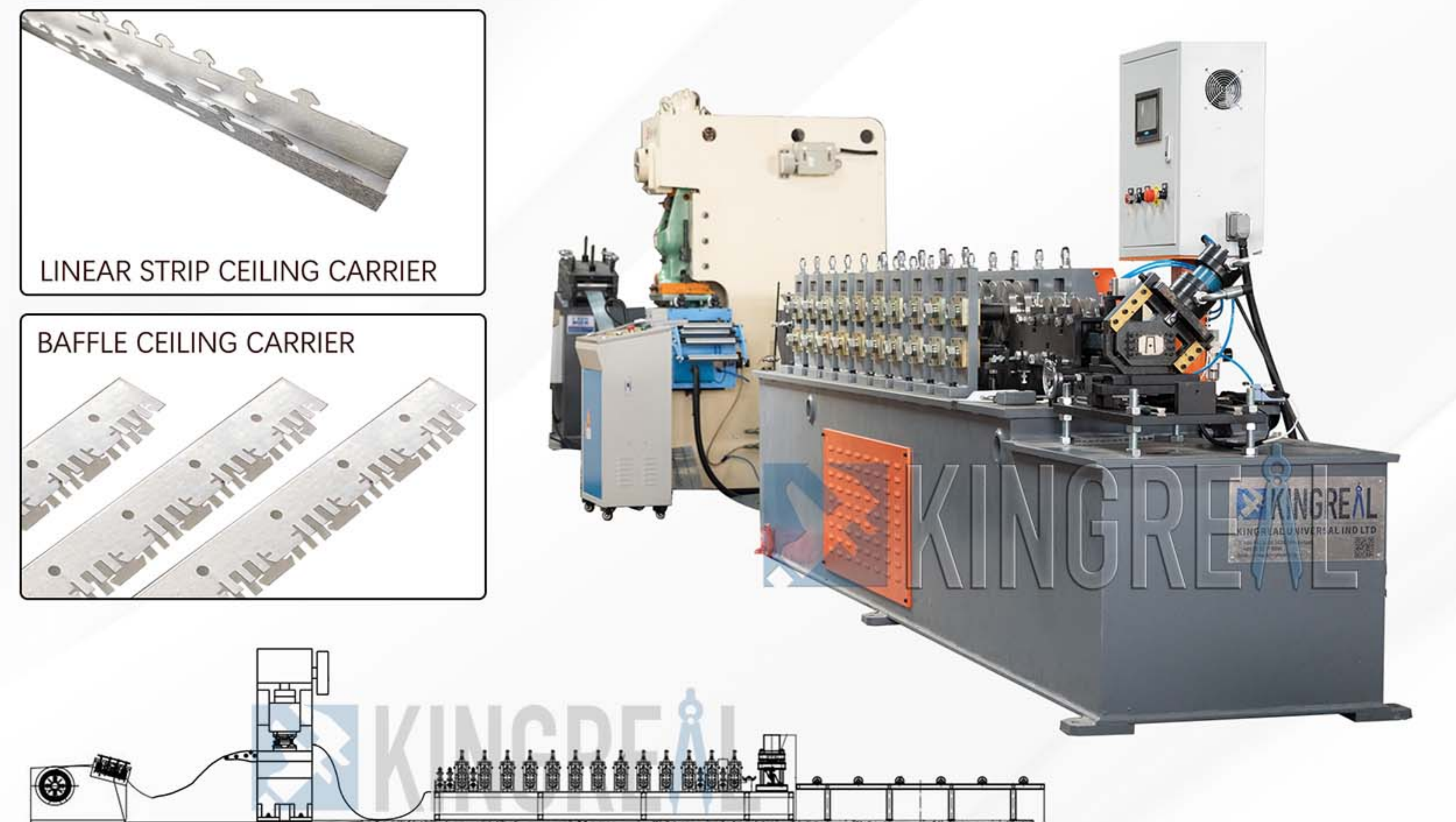
格栅成型机/ OPEN CELL CEILING ROLL FORMING MACHINE ◀



► LINEAR STRIP CEILING ROLL FORMING MACHINE / 条扣成型机



卡骨成型机/ METAL CEILING CARRIERS ROLL FORMING MACHINE ◀



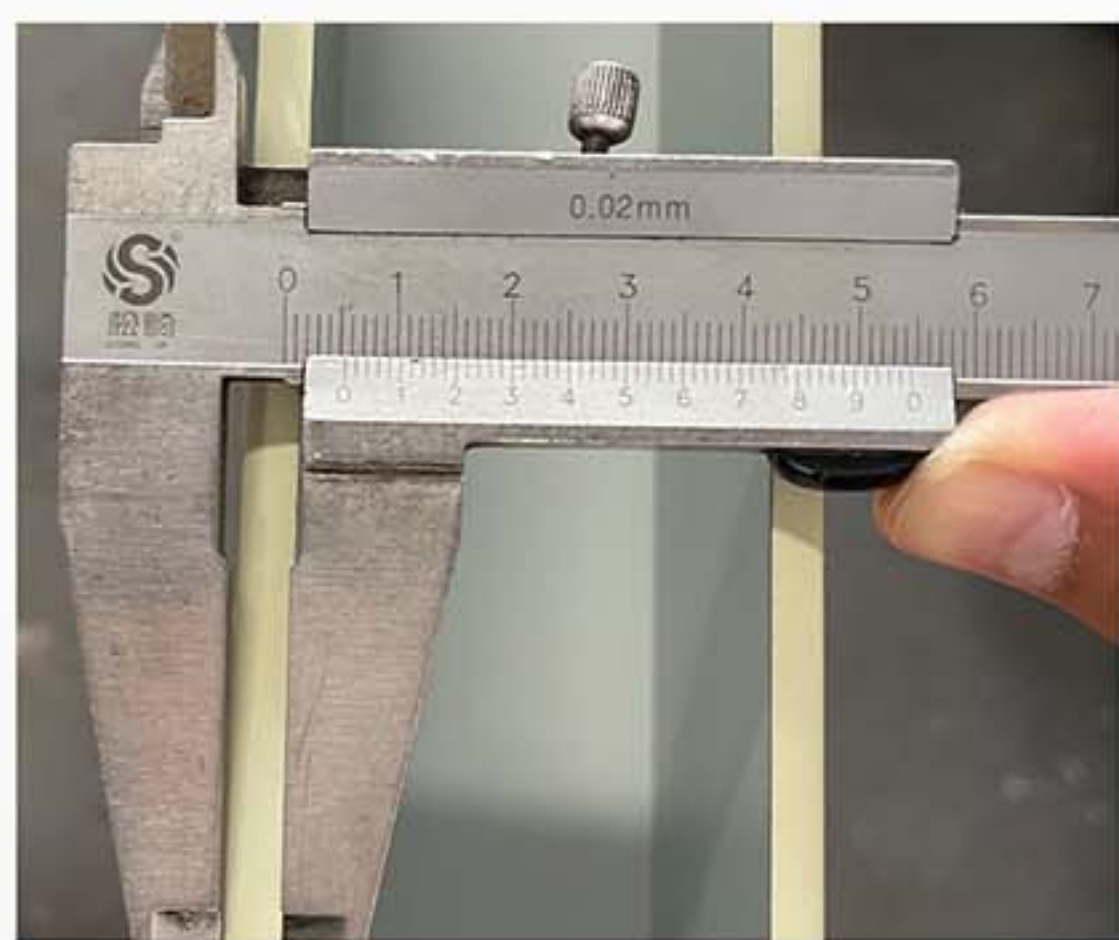
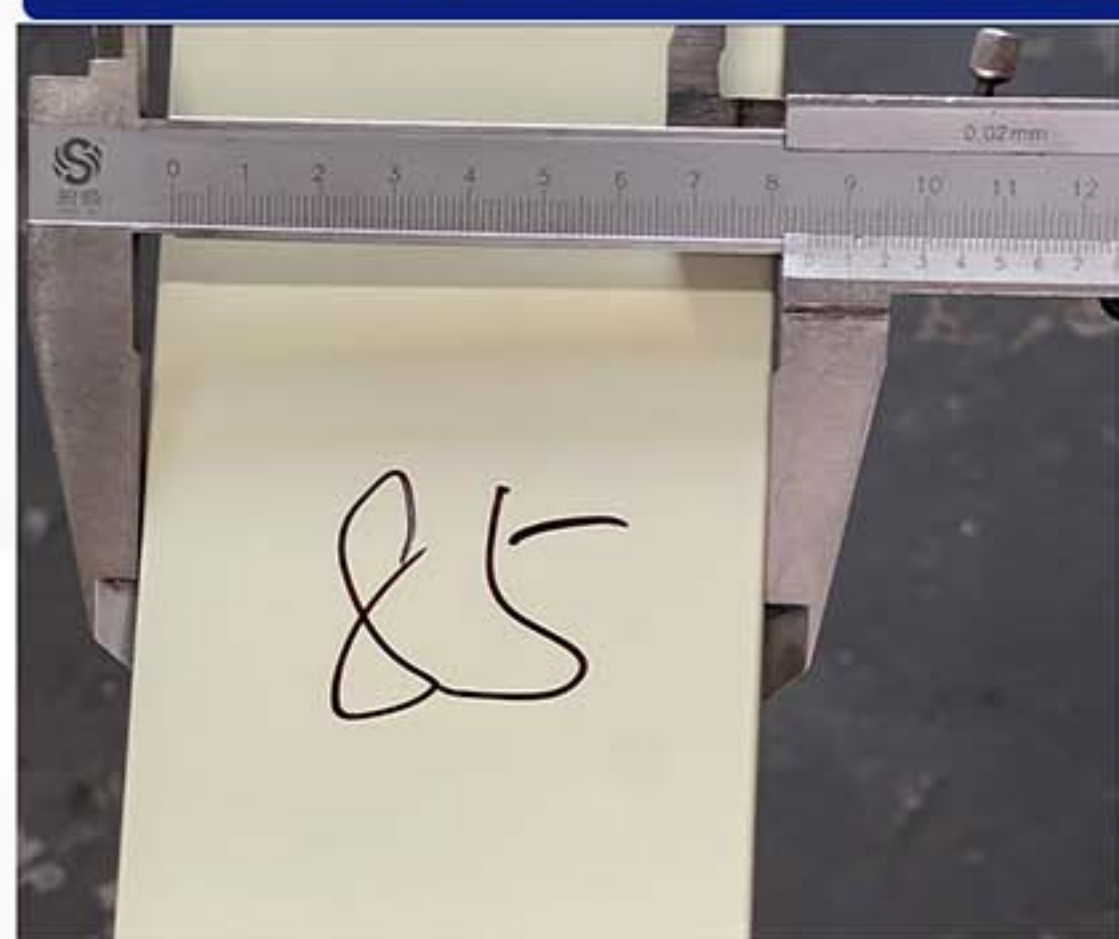
► **QUALITY CONTROL / QC质检**

项目展示 / **PROJECT 2023-2024** ◀

MACHINE DEBUGGING



PRODUCT INSPECTION



KINGREAL EXHIBITION

